

Oil-injected screw compressor stage

EU 18 Series

Air end data

power consumption at

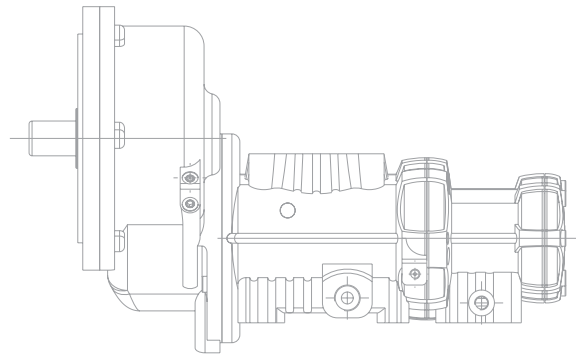
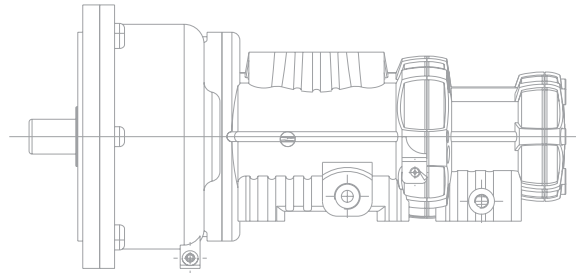
driving shaft recommended [kW] 18

volume flow max [m³/min] 4.3

discharge pressure max. [bar a] 16

male rotor speed max. [rpm] 7,000

lobe combination 5/6



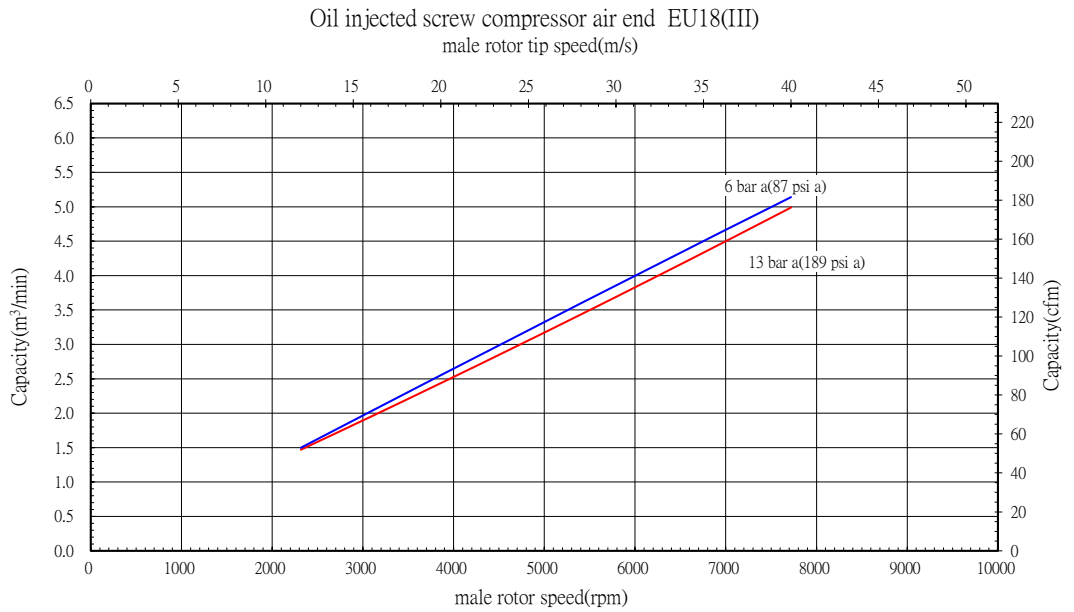
EU 18 Series

Performance data

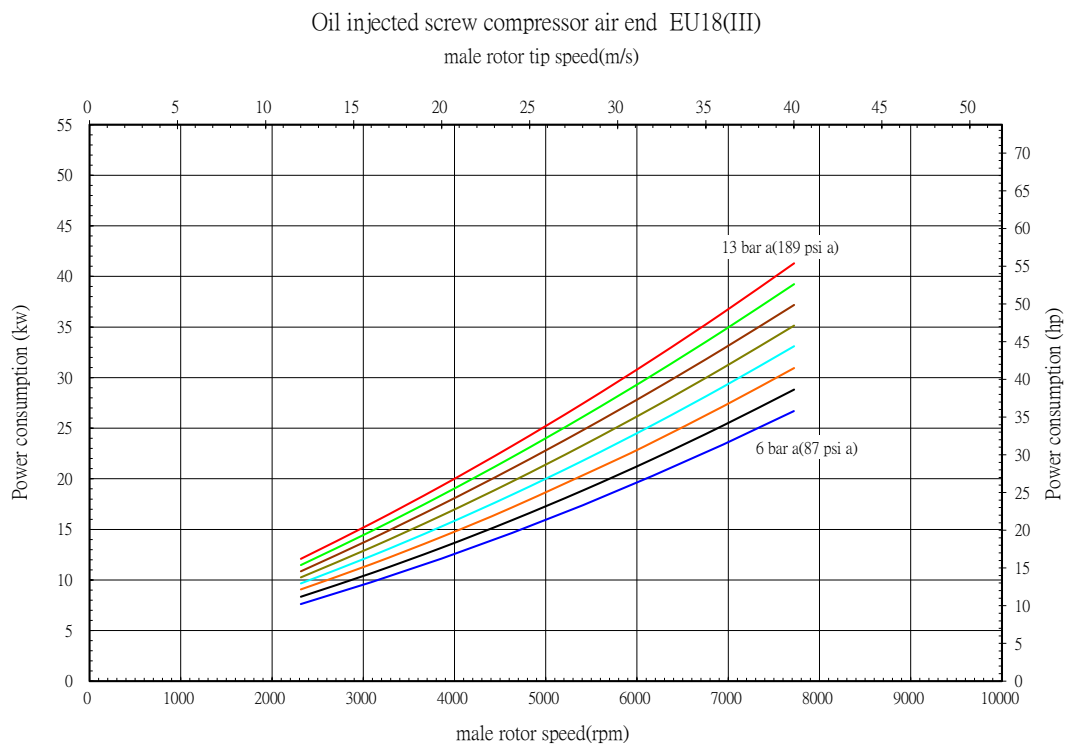
Performance statements according to ISO 1217

13 bar a / 189 psi a
6 bar a / 87 psi a

male rotor tip speed [m/s]



13 bar a / 189 psi a 9 bar a / 131 psi a
 12 bar a / 174 psi a 8 bar a / 116 psi a
 11 bar a / 160 psi a 7 bar a / 102 psi a
 10 bar a / 145 psi a 6 bar a / 87 psi a



EU 18

Installation drawing [mm]

weight [kg]

50.4

