

8

7

6

5

4

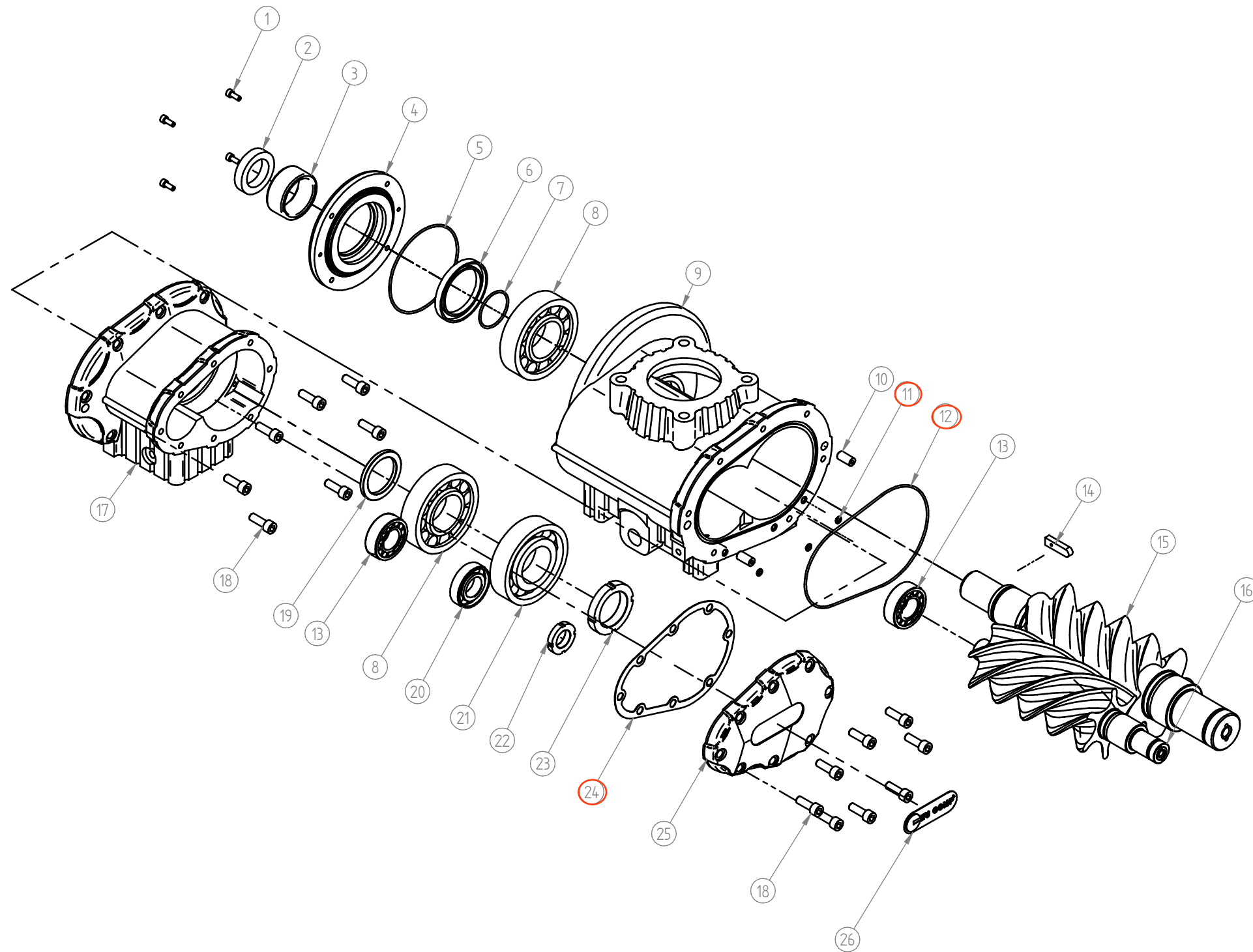
3


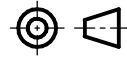
2

1

Rev. Rev.	Aenderungsbeschreibung Description of change	Datum Date	Abnahme Approved

No.	Document Number	Title	Q'ty
1	2102011092	Bolt	4
2	2610026580	EU45 Block Ring	1
3	2605041340	Sleeve	1
4	2610023240	Oil Seal Seat	1
5	2111010335	O-Ring	1
6	2109020019	Oil Seal	1
7	2111010327	O Ring	1
8	2110050060	Cylinder Roller Bwearing	2
9	2610022120	Casing	1
10	2605020800	Centering Pin	2
11	2111010090	O-Ring	3
12	2111010341	O-Ring	1
13	2110050025	Cylinder Roller Bearing	2
14	2605022360	Key	1
15	2610027860	Male Rotor	1
16	2605025560	Female Rotor	1
17	2610023270	Rear Bearing Seat	1
18	2102011190	Bolt	15
19	2605040090	Spacer	1
20	2110040204	Angular Ball Bearing	1
21	2110040208	Angular Ball Bearing	1
22	2688370110	Welnut	1
23	2688370210	Welnut	1
24	2605025630	Packing	1
25	2610023260	Rear Cover	1
26	2610630020	Logo Plate	1
27*	2102020093	Plug	10



	Name Name	Datum Date		
Entwurf Designed	Kent Li	09.04.2013	Benennung Title Explosionszeichnung Explosion Drawing	
Gezeichnet Drawn	Kent Li	09.04.2013		
Gepueft Checked	Ethan Kuo	09.04.2013		
Abnahme Approved	Reinhard Wundsam	09.04.2013	Typ Model EU45D	Werkstoff Material
Zul. Abweichungen General Tolerance		Format / Size A3		Artikel No. Part No. 2710200070
1 ~ 4 ±0.1				Rev. A
4 ~ 16 ±0.2				Datei-Name File Name 2710200070.dft
16 ~ 63 ±0.3		Massstab Scale		Gewicht (kg) Weight 92.8
63 ~ 250 ±0.5				Einheiten Unit mm
250 ~ 1000 ±0.8				
1000 ~ ±1.3				

H

G

F

E

D

C

B

A