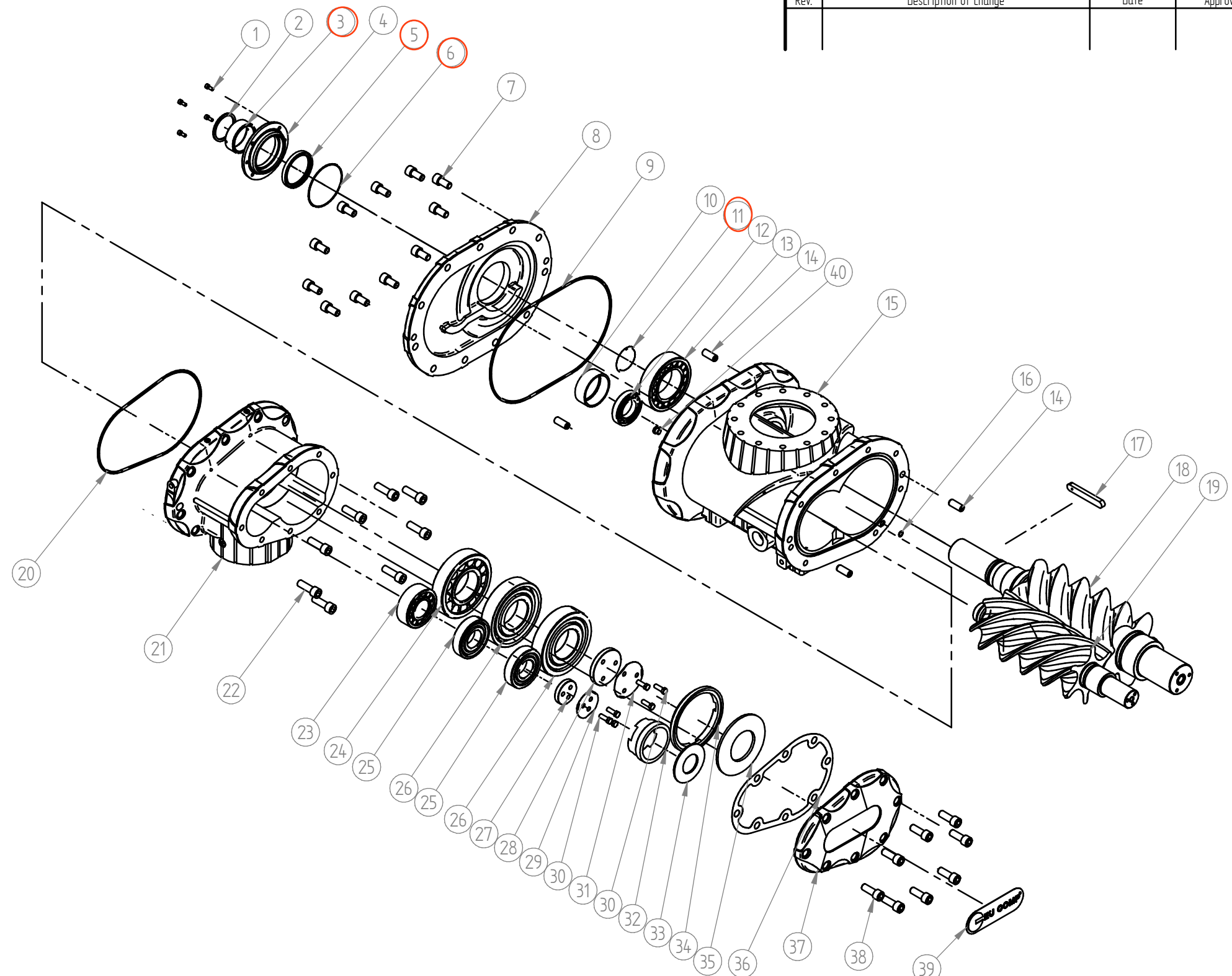


	8	7	6	5	4	3	2	1	
H	No.	Document Number	Title	Q'ty	Rev.				Abnahme
					Aenderungsbeschreibung Description of change				Approved
G	1	2102011134	Bolt	4					
	2	2610026550	Block Ring	1					
F	3	2605041310	Lip Seal Sleeve	1					
	4	2610026160	Front Cover	1					
E	5	2109020026	Oil Seal	1					
	6	2111010281	O-Ring	1					
D	7	2102011382	Bolt	11					
	8	2610026150	Front Cover Rrotor Casing	1					
C	9	2111010364	O-Ring	1					
	10	2605033240	Spacer Ring	1					
B	11	2111010129	O-Ring	1					
	12	2110050163	Cylinder Roller Bearing	1					
A	13	2110050035	Cylinder Roller Bearing	1					
	14	2605032833	Centering Pin	4					
	15	2610026080	Rotor Casing	1					
	16	2111010100	O-Ring	1					
	17	2610026130	Fitting Key	1					
	18	2610026092	Male Rotor	1					
	19	2610026100	Female Rotor	1					
	20	2111010361	O-Ring	1					
	21	2610026190	Casing Discharge Bearing	1					
	22	2102011395	Bolt	8					
	23	2110050049	Cylinder Roller Bearing	1					
	24	2110050067	Cylinder Roller Bearing	1					
	25	2110040043	Angular Ball Bearing	2					
	26	2110040054	Angular Ball Bearing	2					
	27	2605033050	Plate	1					
	28	2605033040	Plate	1					
	29	2610025180	Lock plate	1					
	30	2102010391	Bolt	6					
	31	2610026050	Lock Plate	1					
	32	2610026070	Spacer Ring	1					
	33	2103010032	Disc Spring	1					
	34	2610026060	Spacer Ring	1					
	35	2103010038	Disc Spring	1					
	36	2610025210	Gasket	1					
	37	2610026180	Rear Cover	1					
	38	2102011391	Bolt	8					
	39	2610630070	Logo Plate	1					
	40	2102020101	Plug	1					
	41	2102020093	Plug	2					
	42	2102020096	Plug	3					



	Name	Datum		
	Name	Date		
Entwurf Designed	Kent Li	26.03.2013	Benennung Title	Explosionszeichnung Explorsion Drawing
Gezeichnet Drawn	Kent Li	26.03.2013		
Gepueft Checked	Ethan Kuo	26.03.2013		
Abnahme Approved	Reinhard Wundsam	04.06.2011	Typ Model	Werkstoff Material
Zul. Abweichungen General Tolerance		Format / Size		Artikel No.
1 ~ 4 ±0.1		A3		Part No.
4 ~ 16 ±0.2		Datei-Name		2710300057
16 ~ 63 ±0.3		File Name		2710300057.dft
63 ~ 250 ±0.5		Massstab		Gewicht (kg)
250 ~ 1000 ±0.8		Scale		583.9
1000 ~ ±1.3				Einheiten Unit
				mm