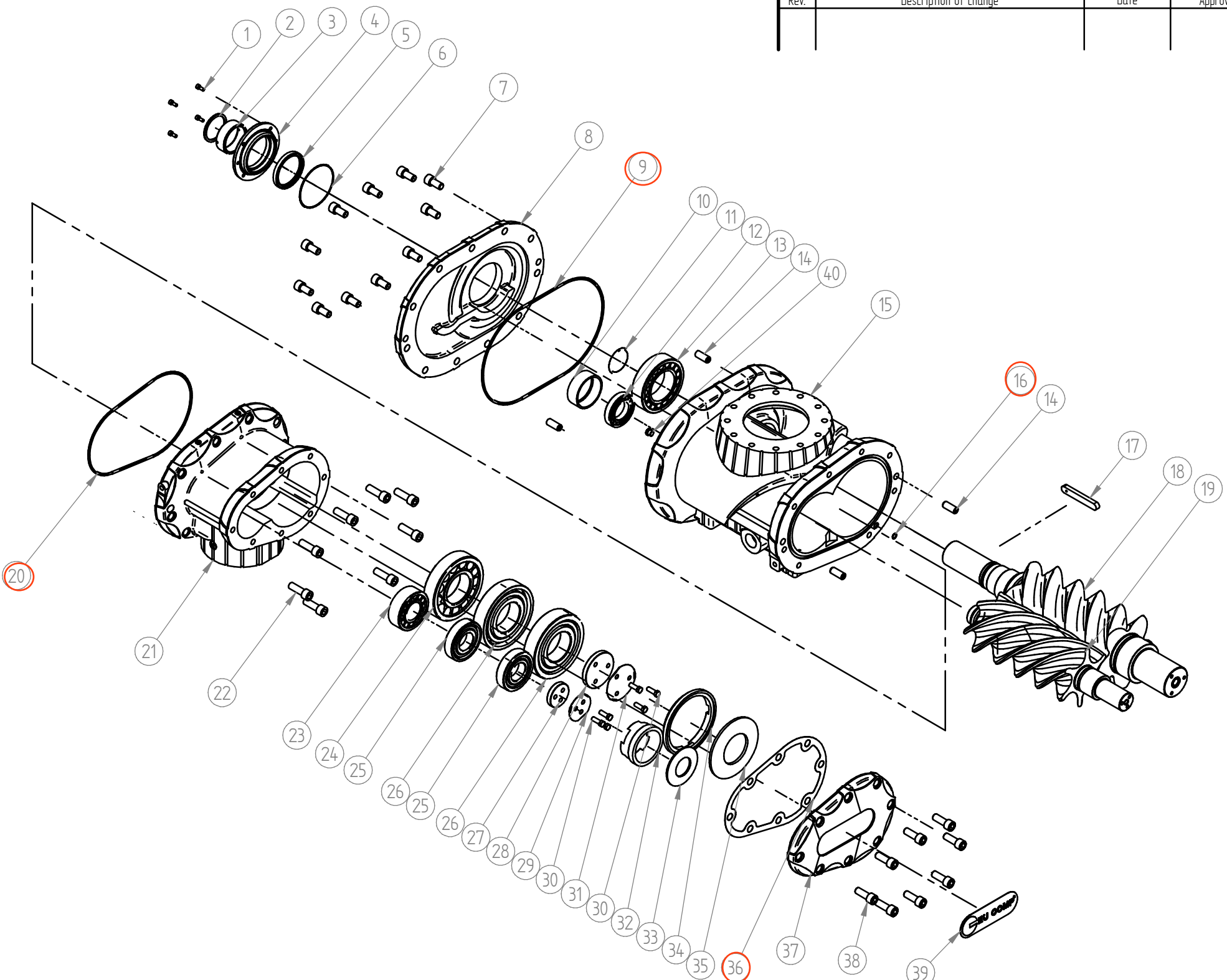


	8	7	6	5	4	3	2	1	
H	No.	Document Number	Title	Q'ty					Rev.
									Rev.
G							Aenderungsbeschreibung Description of change	Datum Date	Abnahme Approved
F									
E									
D									
C									
B									
A									

1	2102011134	Bolt	4
2	2610026550	Block Ring	1
3	2605041310	Lip Seal Sleeve	1
4	2610026160	Front Cover	1
5	2109020026	Oil Seal	1
6	2111010281	O-Ring	1
7	2102011382	Bolt	11
8	2610026150	Front Cover Rrotor Casing	1
9	2111010364	O-Ring	1
10	2605033240	Spacer Ring	1
11	2111010129	O-Ring	1
12	2110050163	Cylinder Roller Bearing	1
13	2110050035	Cylinder Roller Bearing	1
14	2605032833	Centering Pin	4
15	2610026080	Rotor Casing	1
16	2111010100	O-Ring	1
17	2610026130	Fitting Key	1
18	2610026092	Male Rotor	1
19	2610026100	Female Rotor	1
20	2111010361	O-Ring	1
21	2610026190	Casing Discharge Bearing	1
22	2102011395	Bolt	8
23	2110050049	Cylinder Roller Bearing	1
24	2110050067	Cylinder Roller Bearing	1
25	2110040043	Angular Ball Bearing	2
26	2110040054	Angular Ball Bearing	2
27	2605033050	Plate	1
28	2605033040	Plate	1
29	2610025180	Lock plate	1
30	2102010391	Bolt	6
31	2610026050	Lock Plate	1
32	2610026070	Spacer Ring	1
33	2103010032	Disc Spring	1
34	2610026060	Spacer Ring	1
35	2103010038	Disc Spring	1
36	2610025210	Gasket	1
37	2610026180	Rear Cover	1
38	2102011391	Bolt	8
39	2610630070	Logo Plate	1
40	2102020101	Plug	1
41	2102020093	Plug	2
42	2102020096	Plug	3



	Name	Datum		Benennung Titel	Explosionszeichnung Explorsion Drawing
Entwurf Designed	Kent Li	26.03.2013			
Gezeichnet Drawn	Kent Li	26.03.2013	Typ Model	EU160	Werkstoff Material
Gepueft Checked	Ethan Kuo	26.03.2013	Format / Size	A3	Artikel No. Part No.
Abnahme Approved	Reinhard Wundsam	04.06.2011	File Name	2710300057.dft	2710300057
Zul. Abweichungen General Tolerance				Scale	Gewicht (kg) Weight
1 ~ 4 ±0.1				Einheiten Unit	583.9
4 ~ 16 ±0.2					
16 ~ 63 ±0.3					
63 ~ 250 ±0.5					
250 ~ 1000 ±0.8					
1000 ~ ±1.3					