

8

7

6

5

4

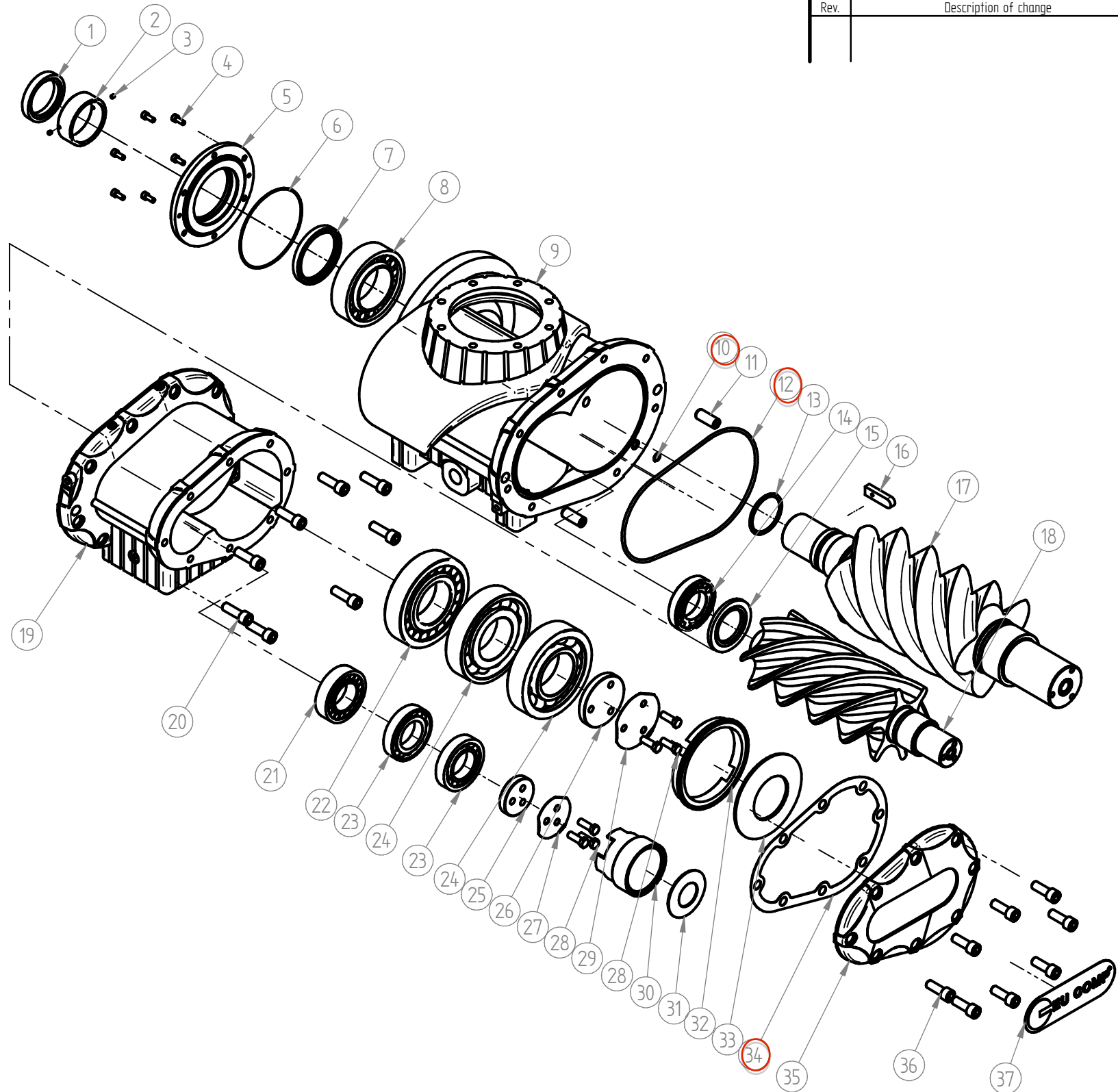
3

2

1

Rev.	Aenderungsbeschreibung Description of change	Datum Date	Abnahme Approved

No.	Document Number	Title	Q'ty
1	2610026540	EU110 Block Ring	1
2	2605041310	Lip Seal Sleeve	1
3	2102011620	Bolt	2
4	2102011134	Bolt	6
5	2610025990	Oil Seal Seat	1
6	2111010338	O-Ring	1
7	2109020026	Oil Seal	1
8	2110050034	Cylinder Roller Bearing	1
9	2610025250	Casing	1
10	2111010100	O-Ring	1
11	2605032833	Centering Pin	2
12	2111010358	O-Ring	1
13	2111010129	O-Ring	1
14	2110050163	Cylinder Roller Bearing	1
15	2610026020	Spacer	1
16	2610025300	Key	1
17	2610027840	Male Rotor	1
18	2610025270	Female Rotor	1
19	2610026030	Rear Bearing Seat	1
20	2102011314	Bolt	8
21	2110050031	Cylinder Roller Bearing	1
22	2110050065	Cylinder Roller Bearing	1
23	2110040017	Angular Ball Bearing	2
24	2110040052	Angular Ball Bearing	2
25	2605033050	Plate	1
26	2605031220	Plate	1
27	2610025180	Lock plate	1
28	2102010391	Bolt	6
29	2610026050	Lock Plate	1
30	2610025240	Spacer Ring	1
31	2103010025	Disc Spring	1
32	2605031030	Spacer Ring	1
33	2103010037	Disc Spring	1
34	2610026040	Gasket	1
35	2610026010	Rear Cover	1
36	2102011310	Bolt	8
37	2610630070	Logo Plate	1
38*	2102020094	Plug	4
39*	2102020093	Plug	5



	Name	Datum	
Entwurf	Kent Li	08.04.2013	
Gezeichnet	Kent Li	08.04.2013	
Gepueft	Ethan Kuo	08.04.2013	
Abnahme	Reinhard Wundsam	08.04.2013	
Benennung Titel Explosionszeichnung Explosion Drawing			Typ Model EU110
Zul. Abweichungen General Tolerance 1 ~ 4 ..... ±0.1 4 ~ 16 ..... ±0.2 16 ~ 63 ..... ±0.3 63 ~ 250 ..... ±0.5 250 ~ 1000 ..... ±0.8 1000 ~ ..... ±1.3			
Format / Size A3			Artikel No. Part No. 2710260052
Datei-Name File Name 2710260052.dft			Rev. A
Massstab Scale			Gewicht (kg) Weight 336
Einheiten Unit mm			

H  
G  
F  
E  
D  
C  
B  
A