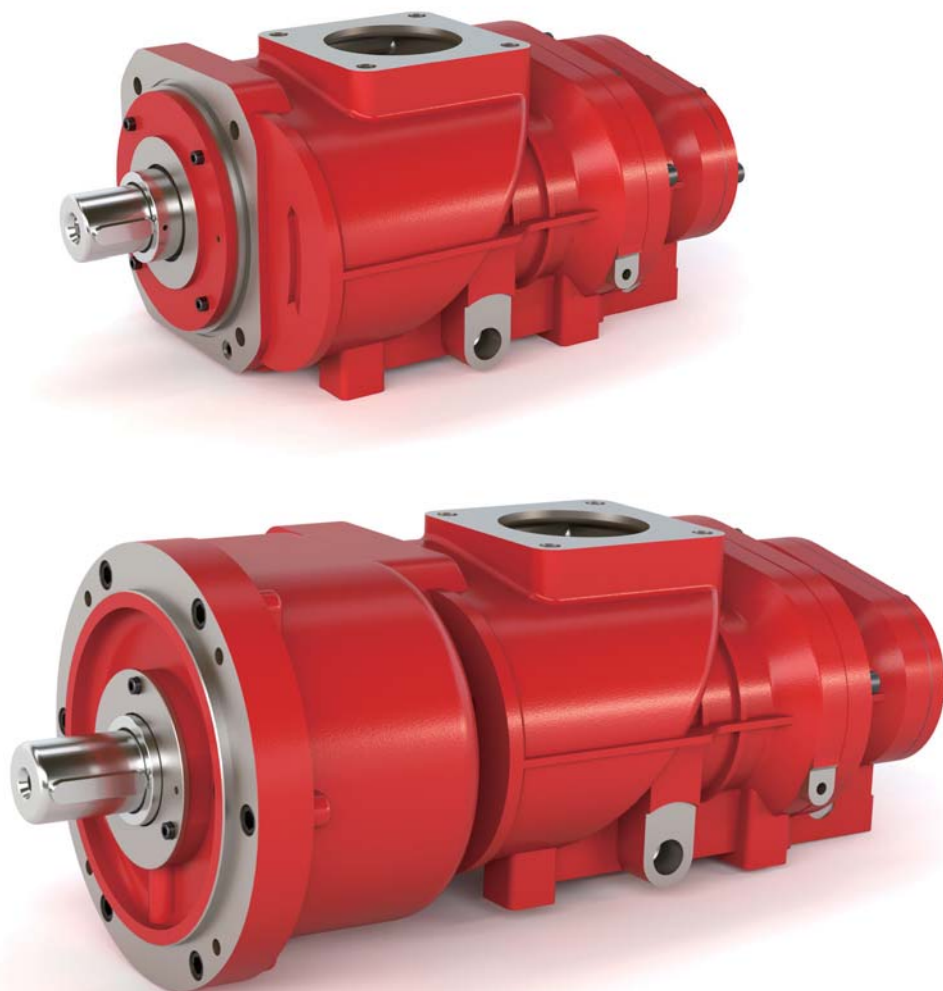


Oil-injected screw compressor stage

## EU45(II) Series

### Air end data

power consumption at driving	
shaft recommended [kW]	45
volume flow max. [m <sup>3</sup> /min]	8.32
discharge pressure max. [bar a]	15
male rotor speed max. [rpm]	5015
lobe combination	4/5



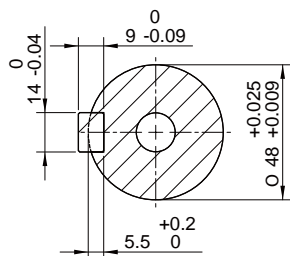
Oil-injected screw compressor stage

# EU45 (II)

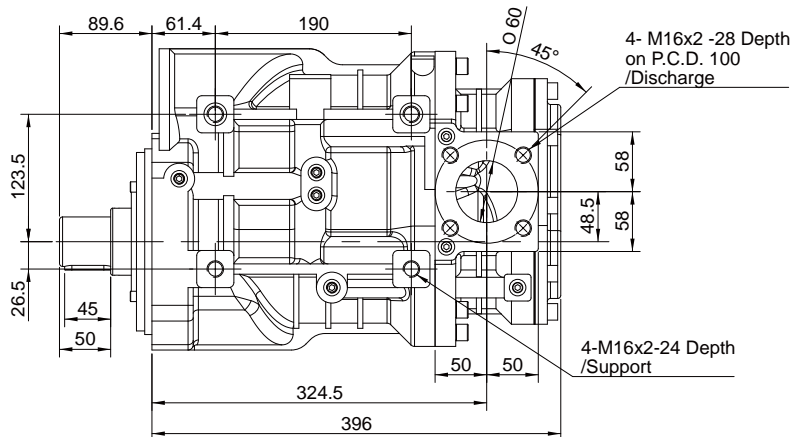
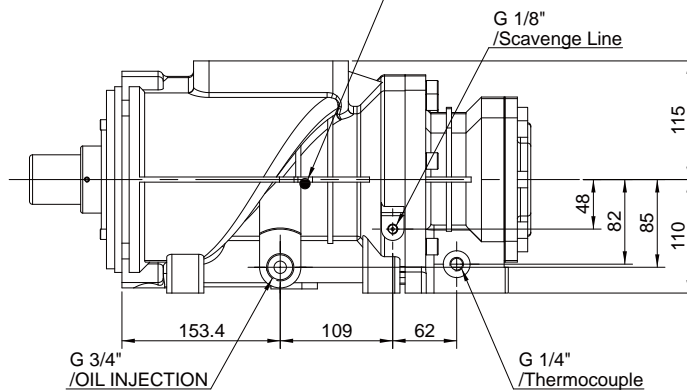
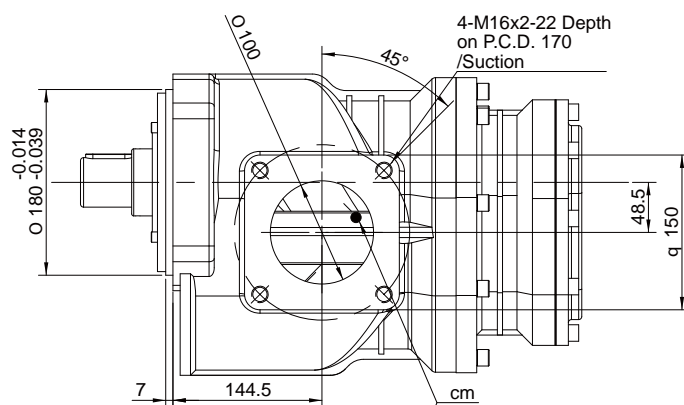
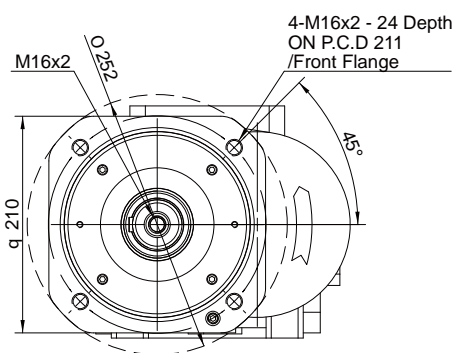
Installation drawing [mm]

weight [kg]

89.3



SECTION A-A  
1:2



Oil-injected screw compressor stage

# EU45(II) Series

## Performance data

Performane statements according to ISO 1217

