

Oil-injected screw compressor stage

## EU37(II) Series

---

### Air end data

---

power consumption at driving

shaft recommended [kW]	37
------------------------	----

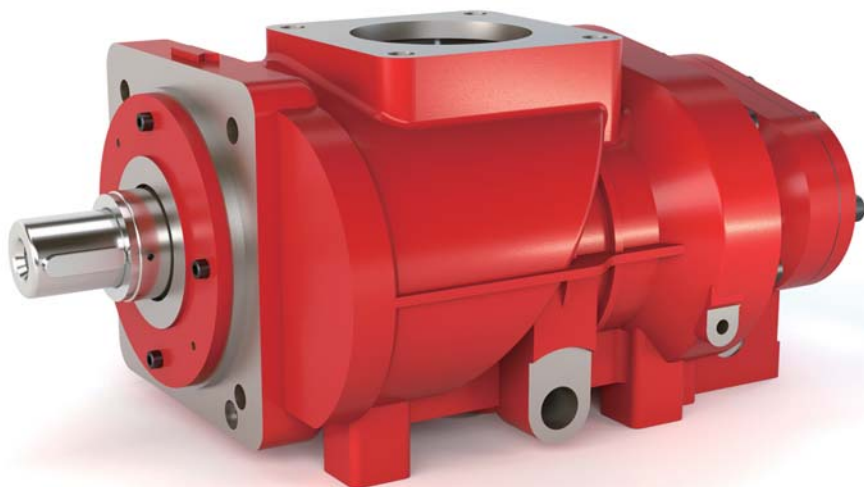
volume flow max. [m <sup>3</sup> /min]	7.73
--	------

discharge pressure max. [bar a]	15
---------------------------------	----

male rotor speed max. [rpm]	5406
-----------------------------	------

lobe combination	5/6
------------------	-----

---



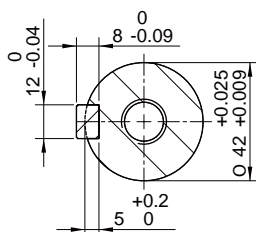
Oil-injected screw compressor stage

# EU37(II)

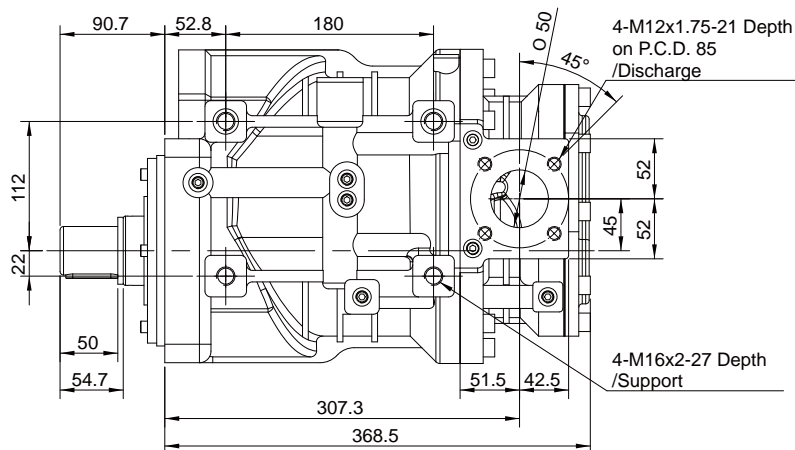
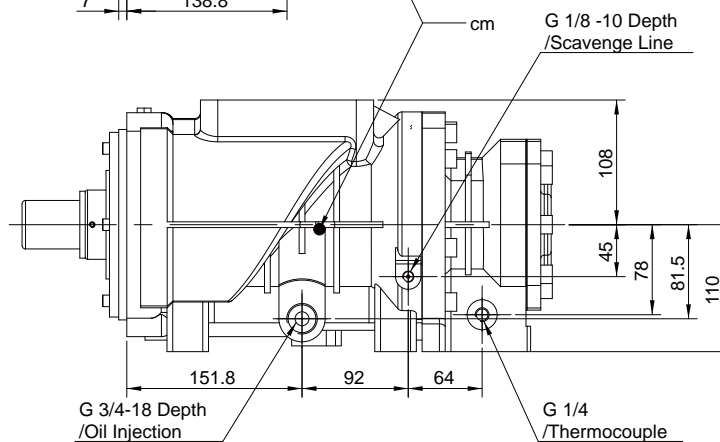
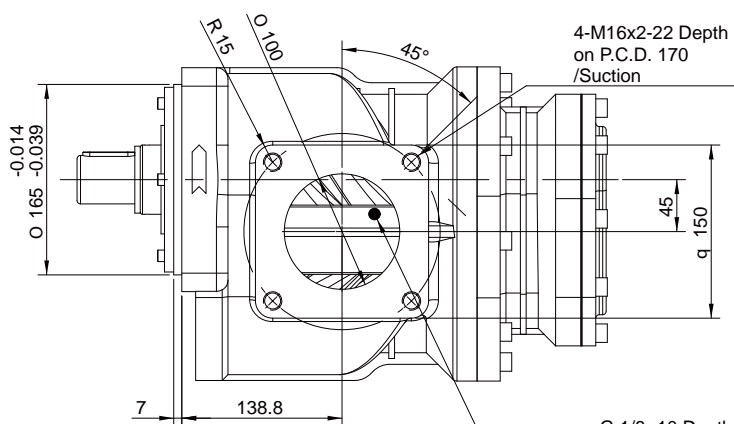
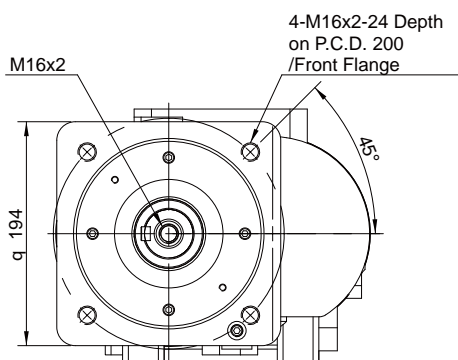
Installation drawing [mm]

weight [kg]

71.1



SECTION A-A  
1:2



Oil-injected screw compressor stage

# EU37(II) Series



## Performance data

Performance statements according to ISO 1217

