

Oil-injected screw compressor stage

## EU 18 Series

---

### Air end data

---

power consumption at

driving shaft recommended [kW] 18

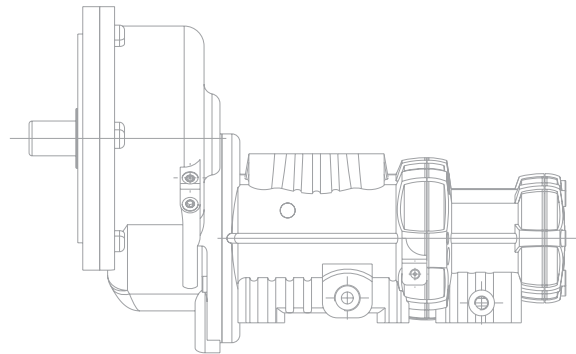
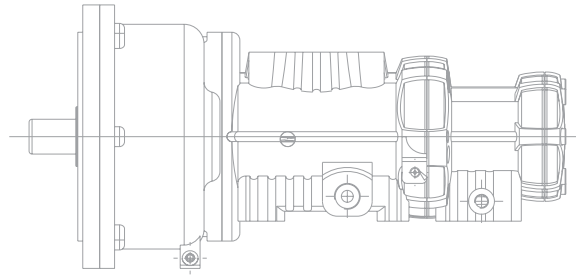
volume flow max [m<sup>3</sup>/min] 4.3

discharge pressure max. [bar a] 16

male rotor speed max. [rpm] 7,000

lobe combination 5/6

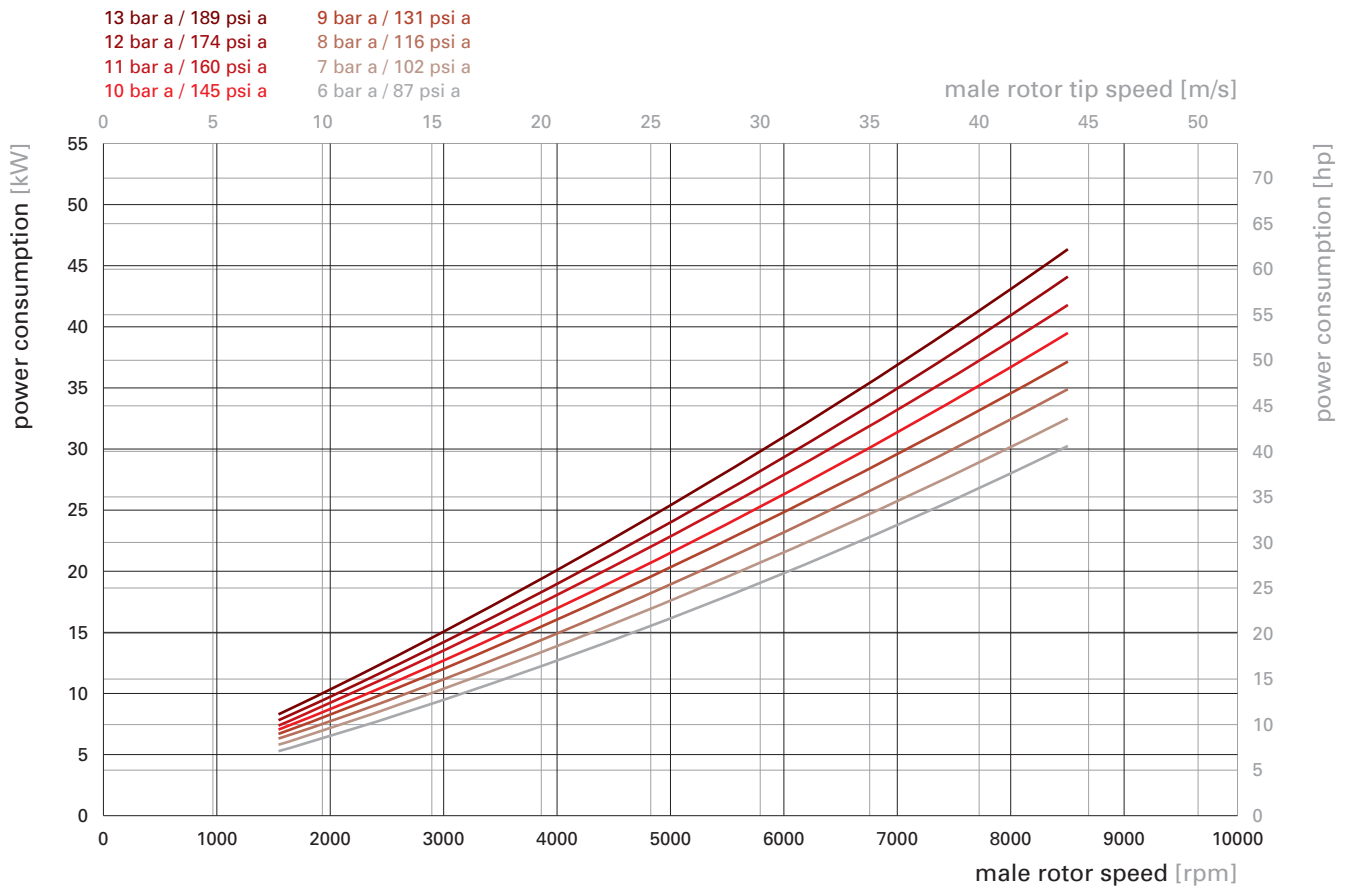
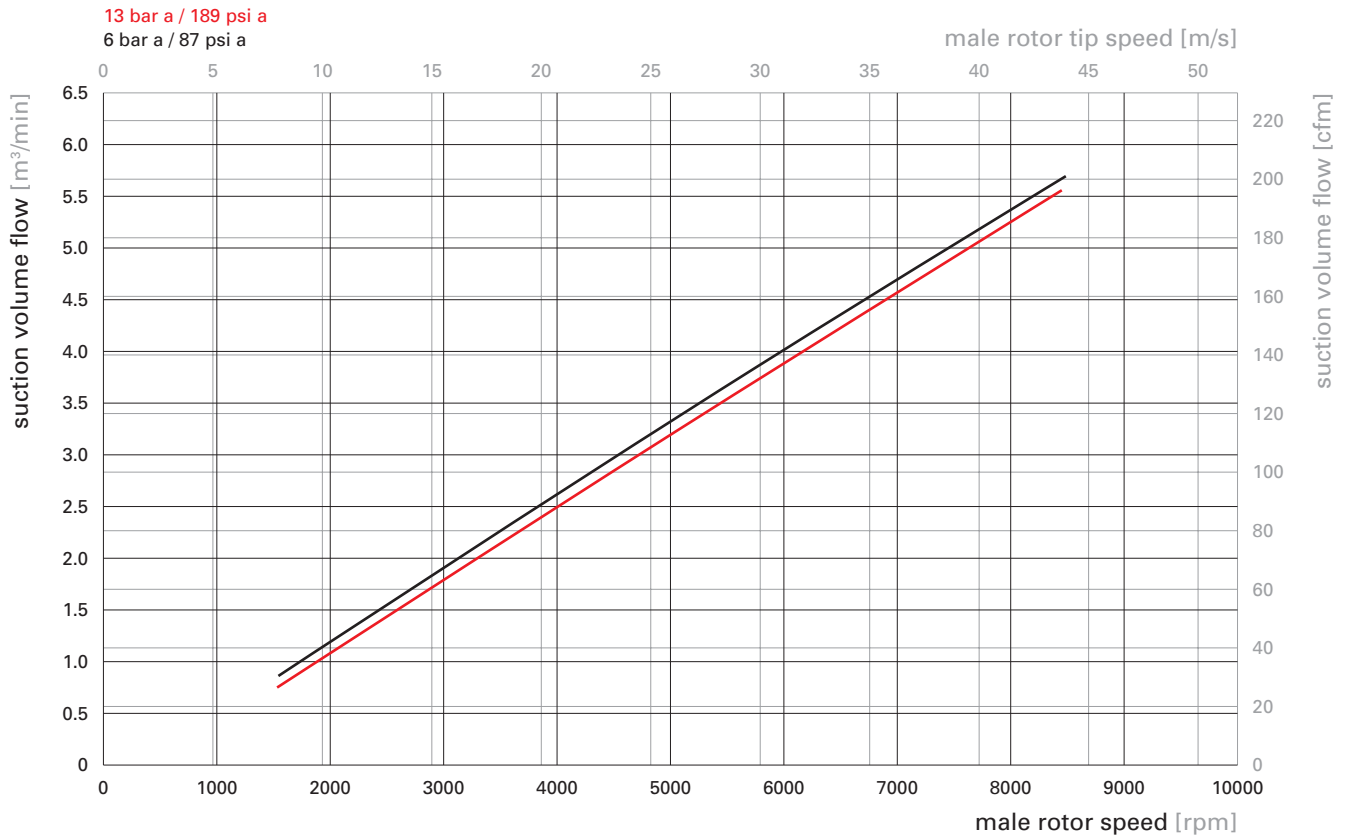
---



# EU 18 Series

## Performance data

Performance statements according to ISO 1217



Oil-injected screw compressor stage

## EU 18

**Installation drawing** [mm]

weight [kg]

50.4

