

Oil-injected screw compressor stage

EU160(II)Series

Air end data

power consumption at driving	
shaft recommended [kW]	160
volume flow max. [m ³ /min]	31.03
discharge pressure max. [bar a]	15
male rotor speed max. [rpm]	2703
lobe combination	5/6



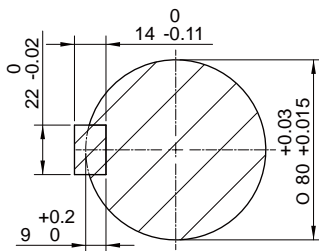
Oil-injected screw compressor stage

EU160G(II)

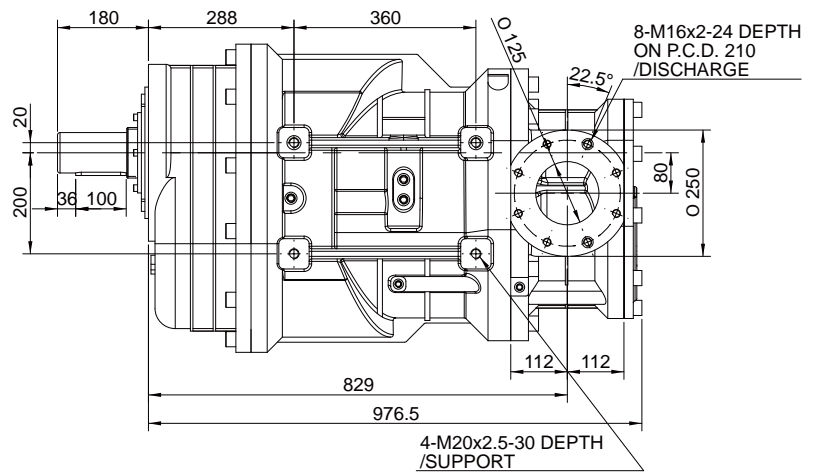
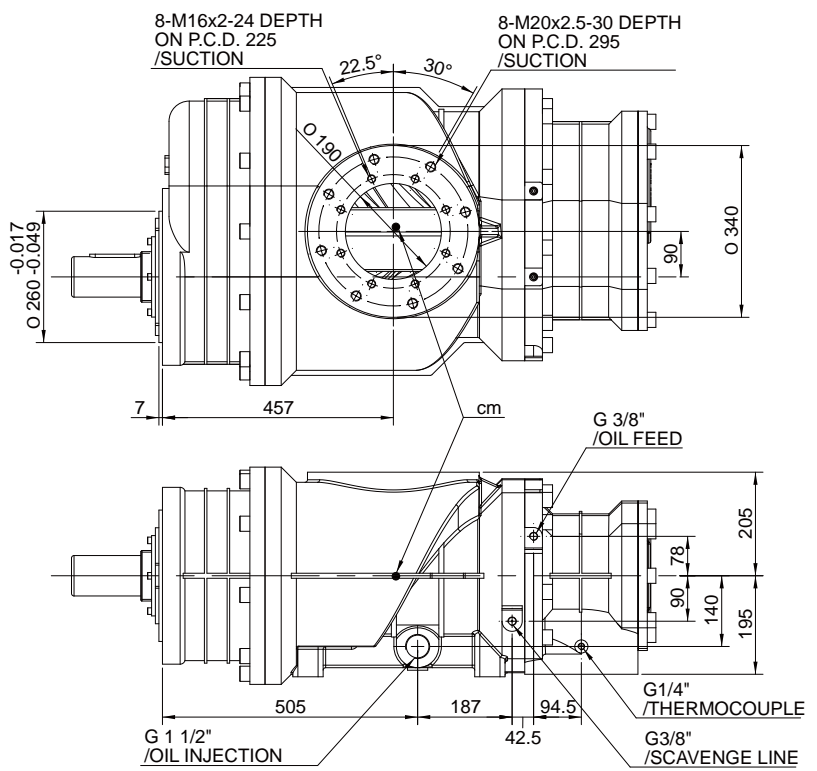
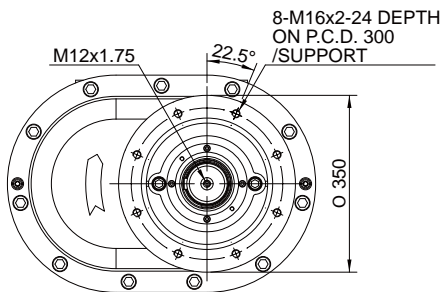
Installation drawing [mm]

weight [kg]

679



SECTION A-A
1:2.5



Oil-injected screw compressor stage

EU160(II) Series

Performance data

Performane statements according to ISO 1217

