

Oil-injected screw compressor stage

## EU 75 (III) Series

### Air end data

power consumption at

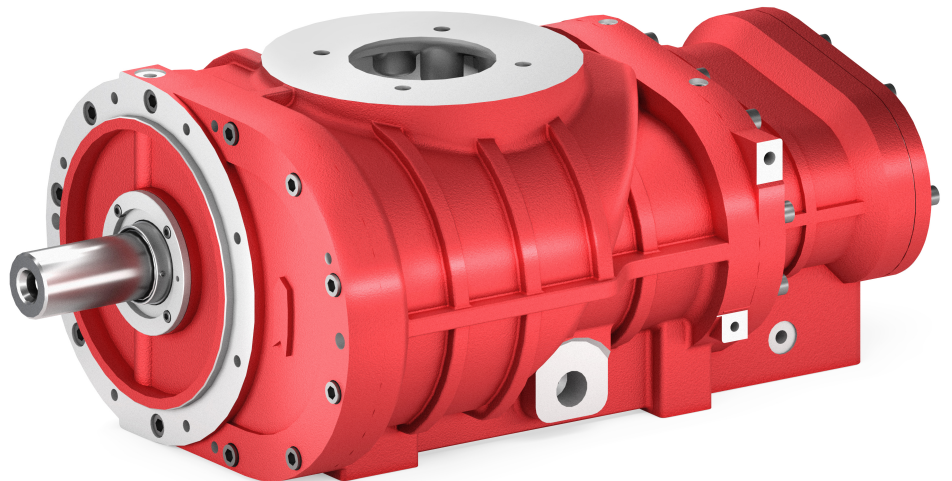
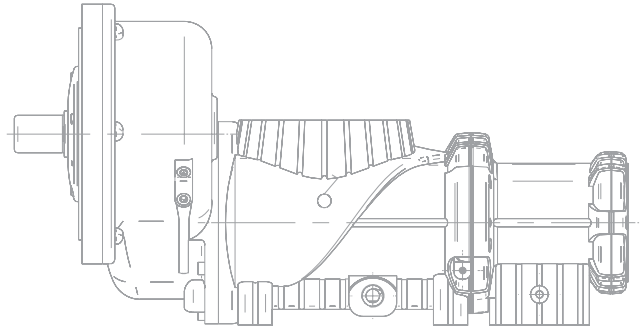
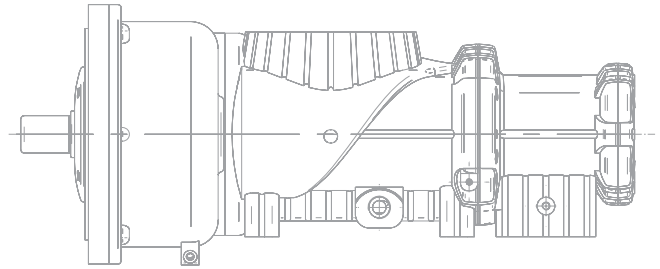
driving shaft recommended [kW] 75

volume flow max [m<sup>3</sup>/min] 115.59

discharge pressure max. [bar a] 15

male rotor speed max. [rpm] 3,742

lobe combination 4/5

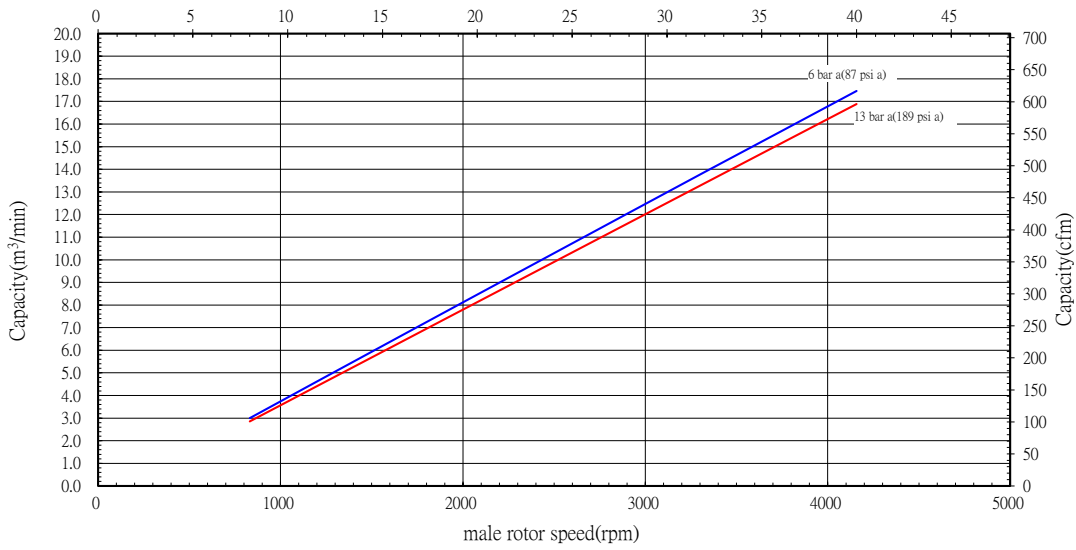


# EU 75 (III) Series

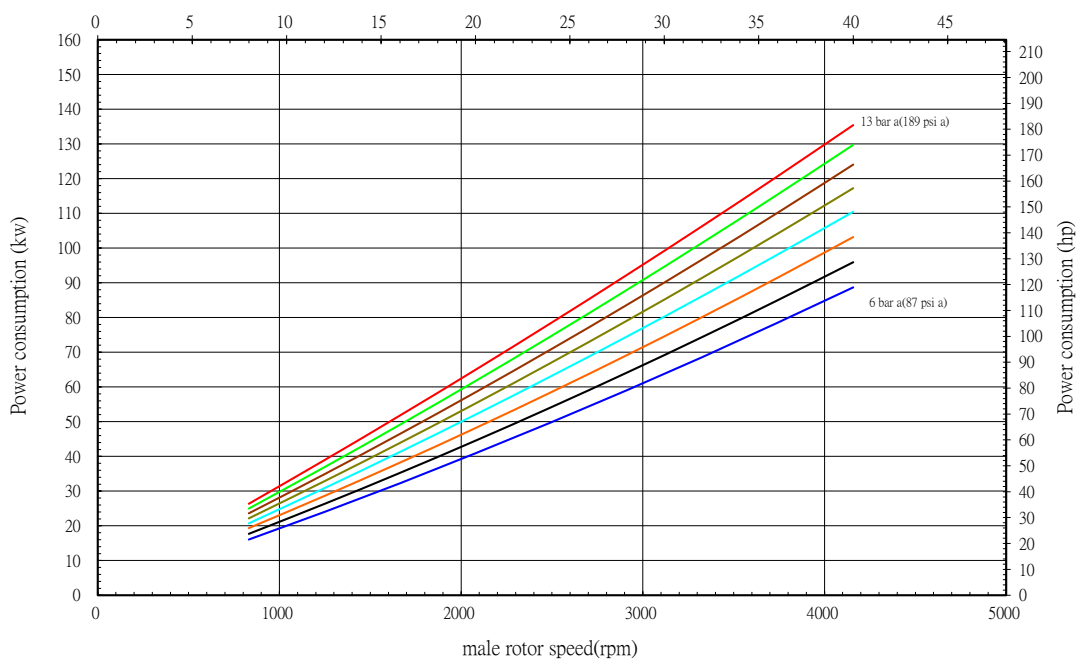
## Performance data

Performance statements according to ISO 1217

Oil injected screw compressor air end EU75(III)  
male rotor tip speed(m/s)



Oil injected screw compressor air end EU75(III)  
male rotor tip speed(m/s)



Oil-injected screw compressor stage

## EU 75 (III)

Installation drawing [mm]

weight [kg]

240

