

Oil-injected screw compressor stage

EU 55 (III) Series

Air end data

power consumption at

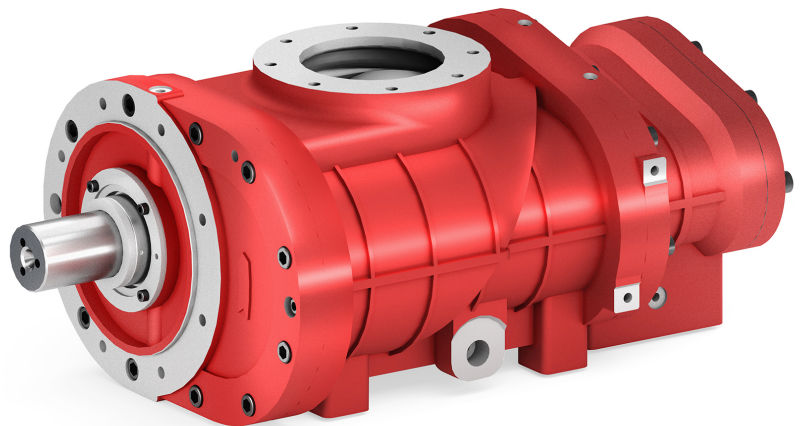
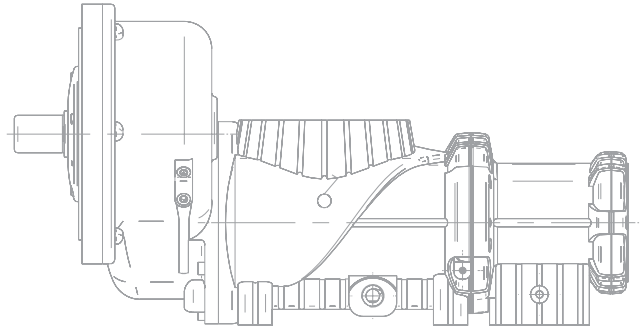
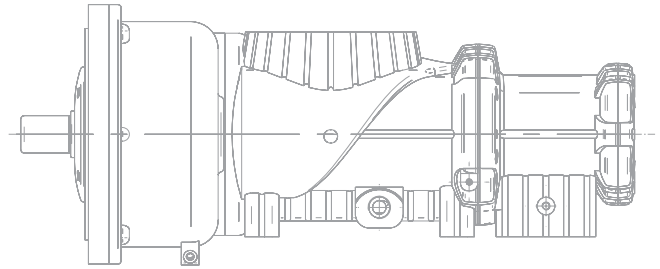
driving shaft recommended [kW] 55

volume flow max [m³/min] 14.01

discharge pressure max. [bar a] 15

male rotor speed max. [rpm] 3,923

lobe combination 5/6

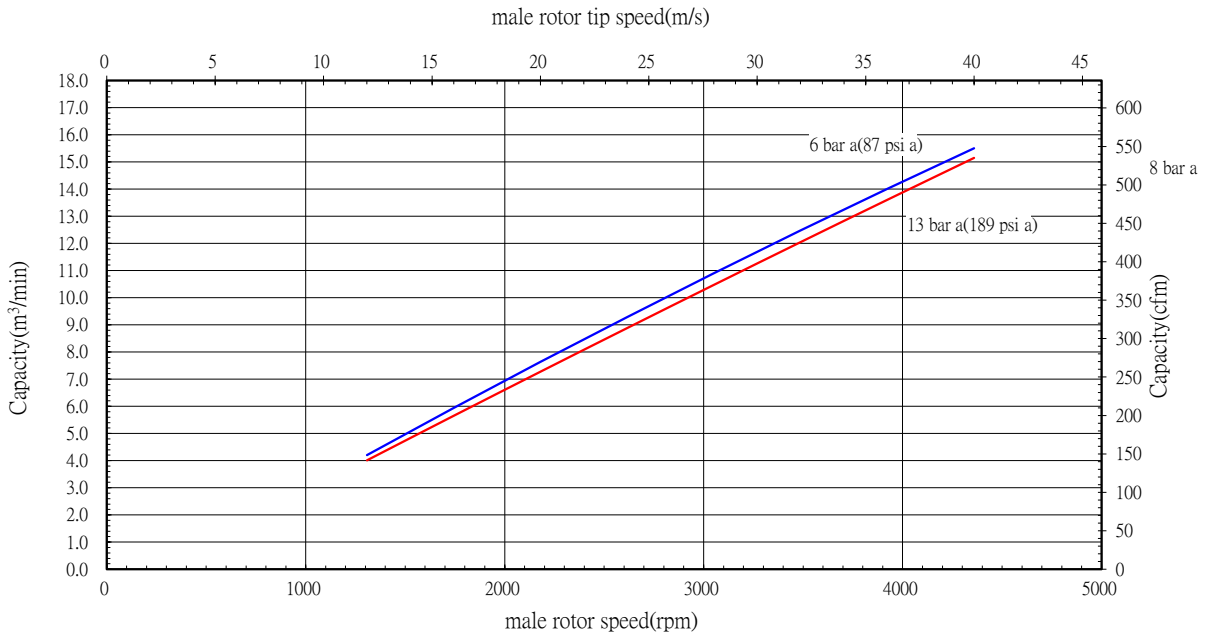


EU 55 (III) Series

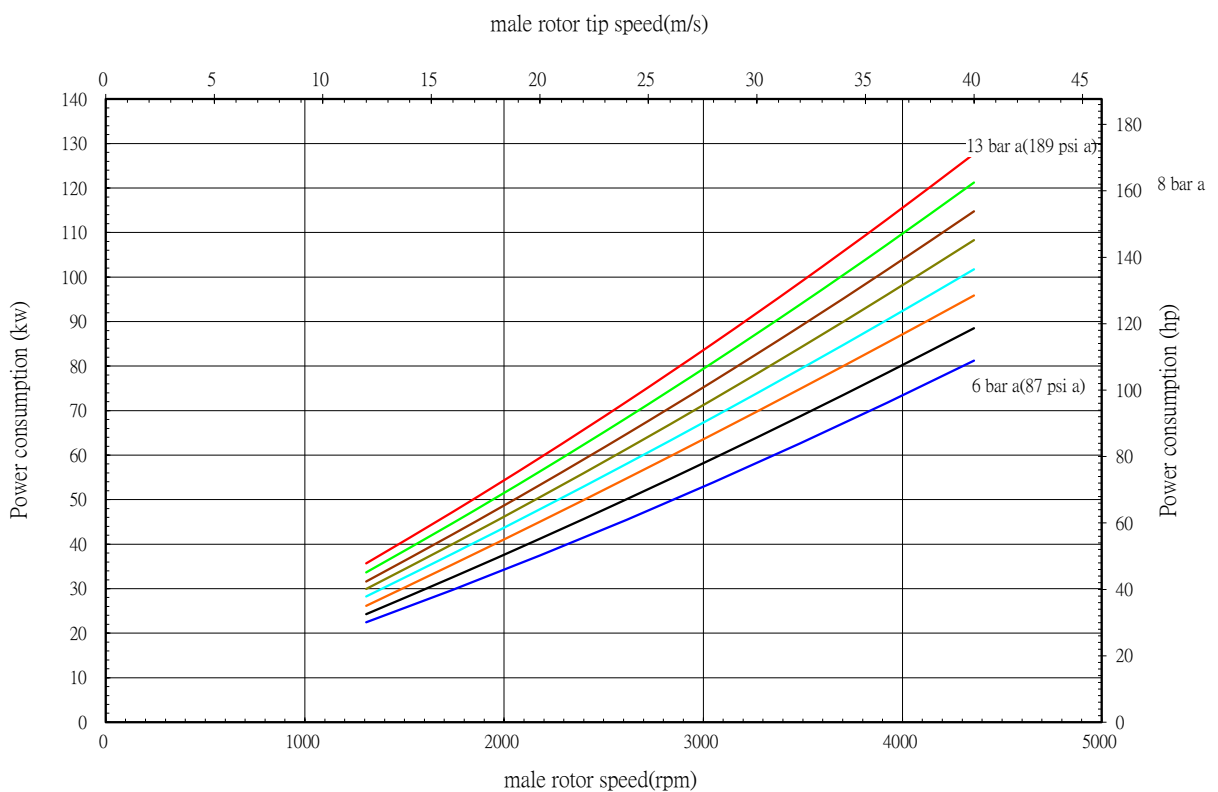
Performance data

Performance statements according to ISO 1217

Oil injected screw compressor air end EU55(III)



Oil injected screw compressor air end EU55(III)



Oil-injected screw compressor stage

EU 55 (III)

Installation drawing [mm]

weight [kg]

188.9

