

Oil-injected screw compressor stage

## EU37 Series

---

### Air end data

---

power consumption at

driving shaft recommended [kW] 37

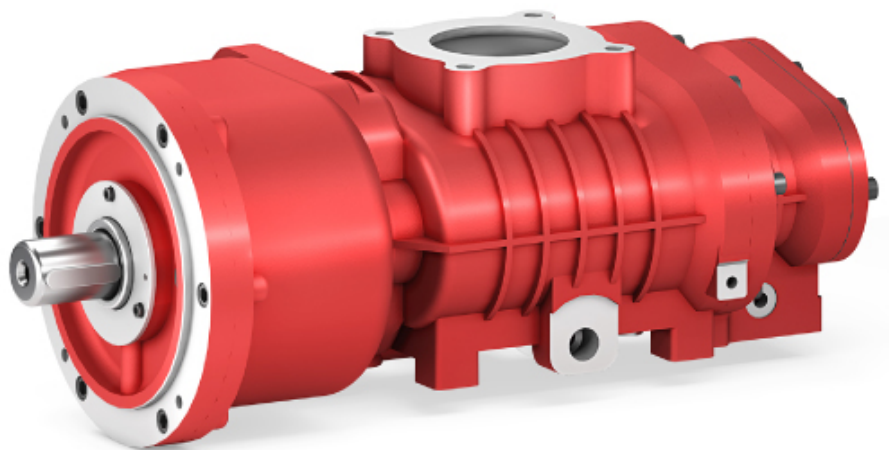
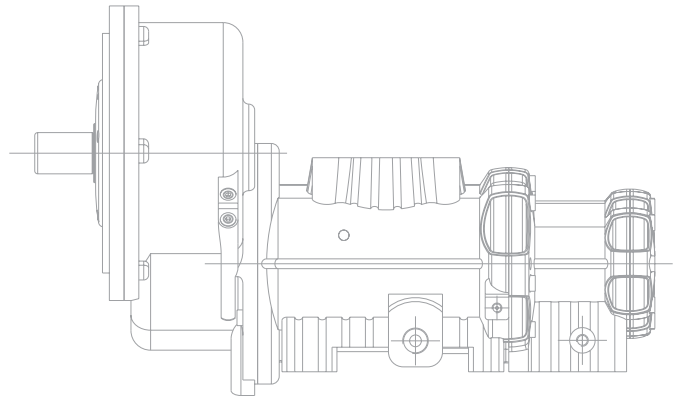
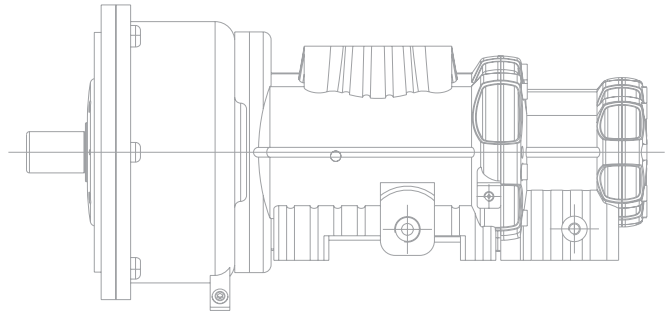
volume flow max [m<sup>3</sup>/min] 7.73

discharge pressure max. [bar a] 15

male rotor speed max. [rpm] 5,406

lobe combination 5/6

---

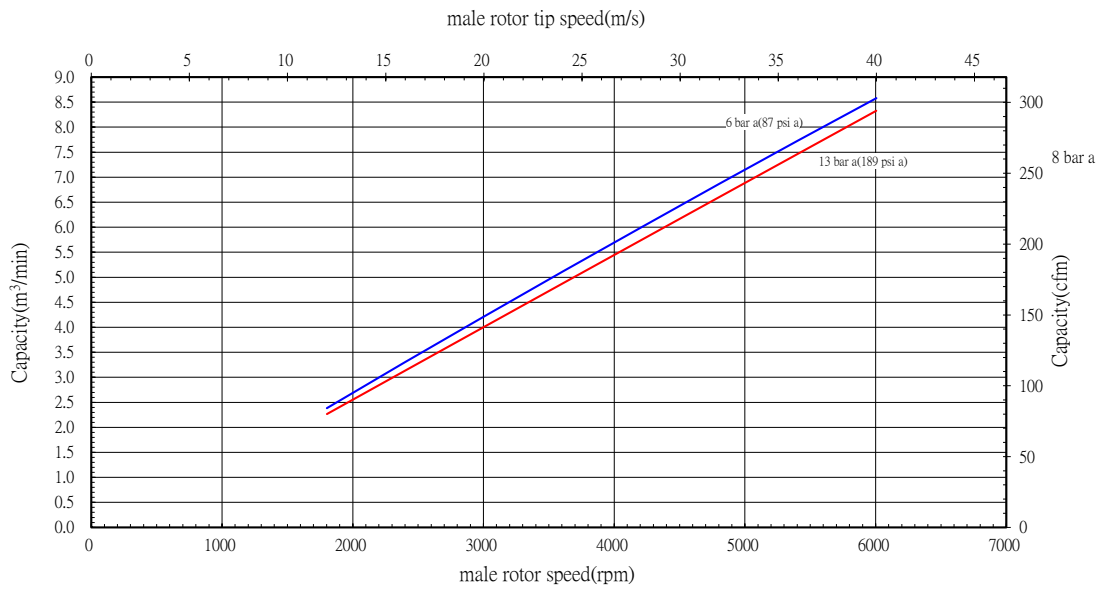


# EU37 Series

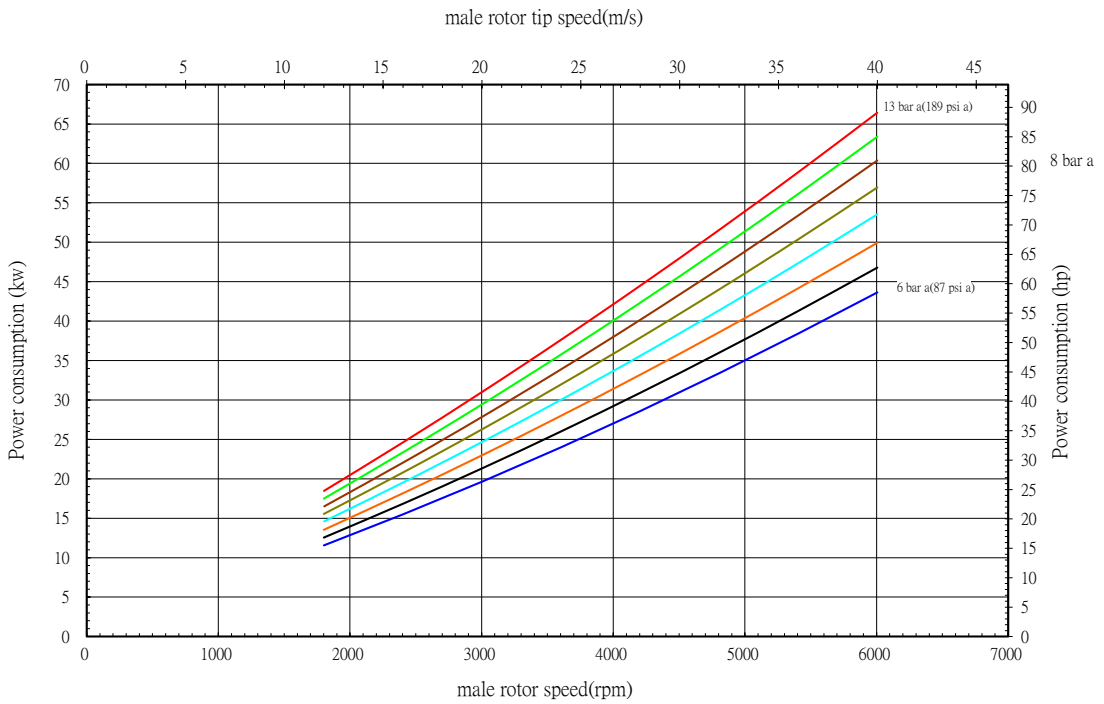
## Performance data

Performance statements according to ISO 1217

Oil injected screw compressor air end EU37(III)



Oil injected screw compressor air end EU37(III)



Oil-injected screw compressor stage

# EU37

Installation drawing [mm]

weight [kg]

73.4

