

Oil-injected screw compressor stage

EU 45 Series

Air end data

power consumption at

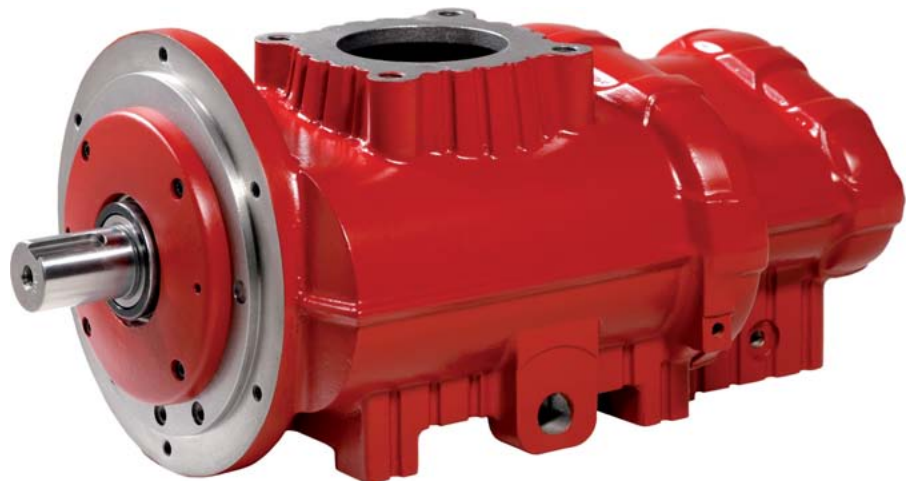
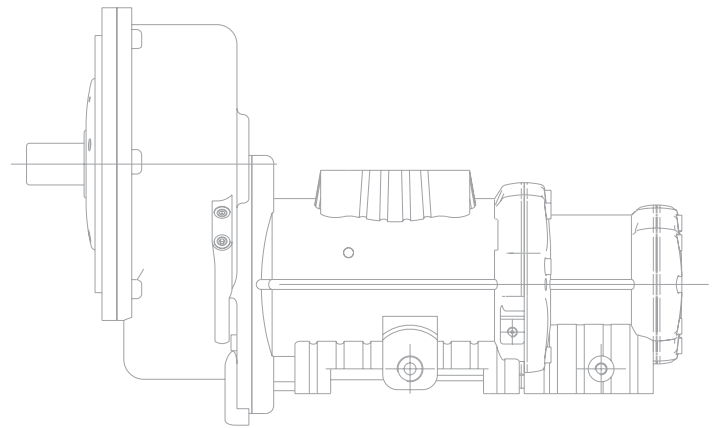
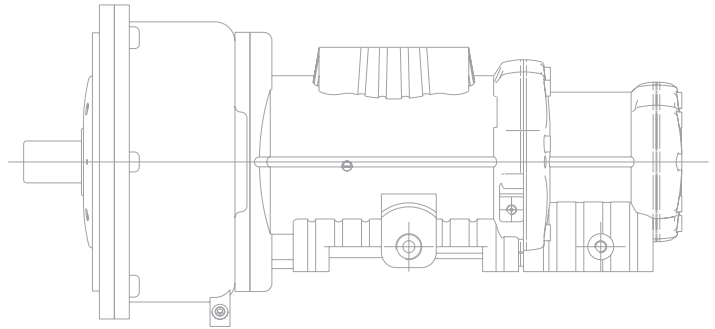
driving shaft recommended [kW] 45

volume flow max [m³/min] 8.8

discharge pressure max. [bar a] 16

male rotor speed max. [rpm] 5,500

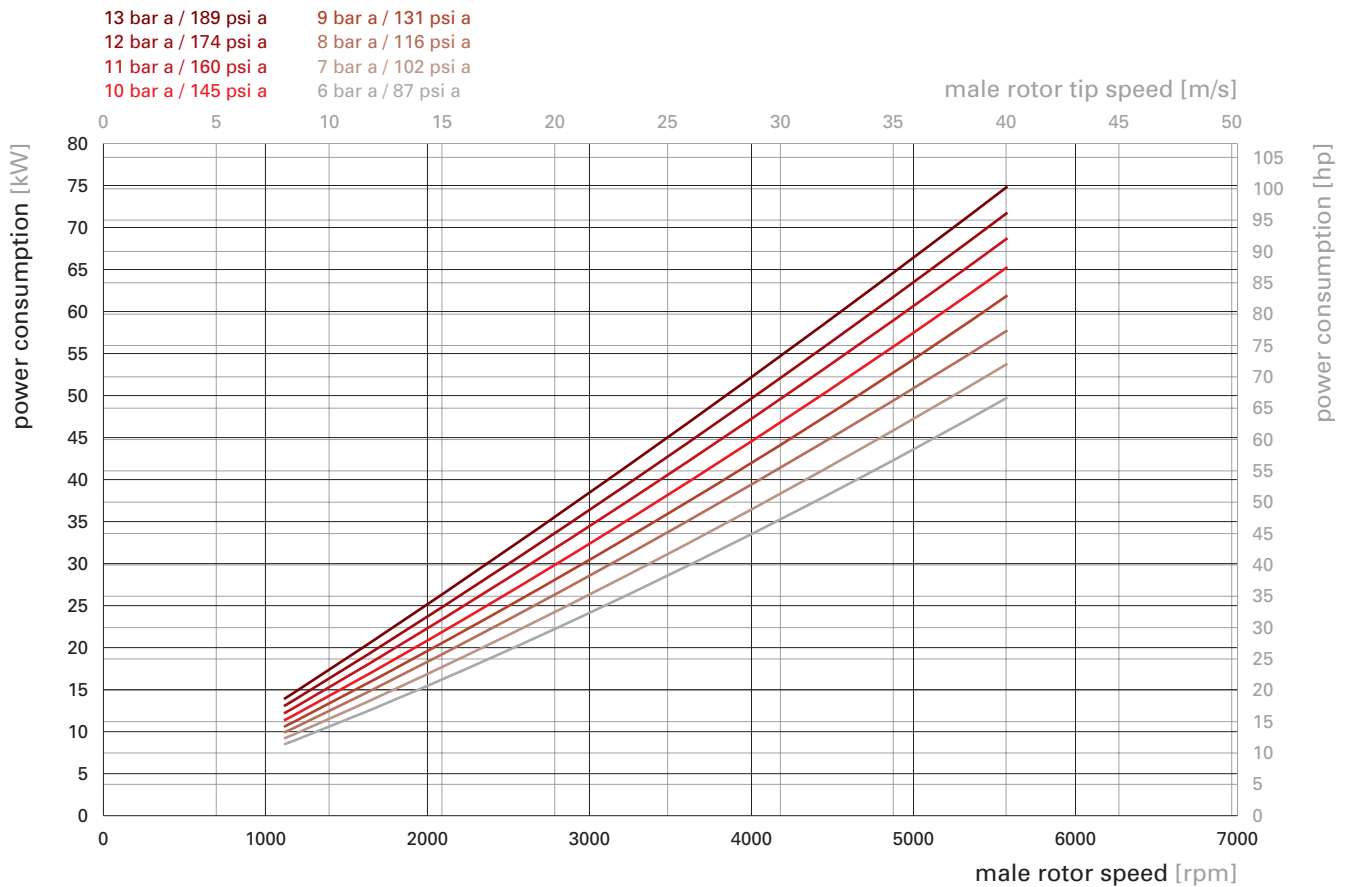
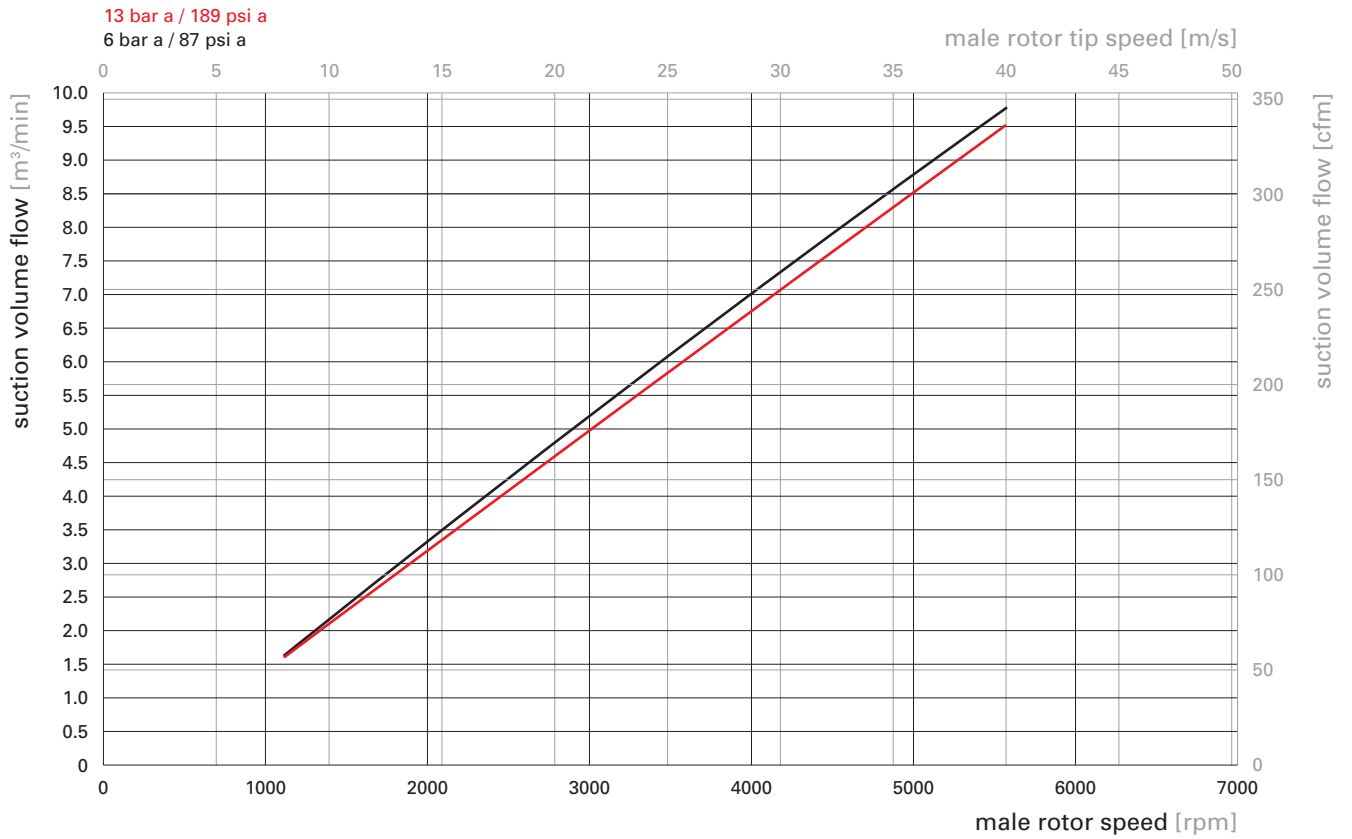
lobe combination 5/6



EU 45 Series

Performance data

Performance statements according to ISO 1217



Oil-injected screw compressor stage

EU 45 GV

Installation drawing [mm]

weight [kg]

136.8

