

Oil-injected screw compressor stage

## EU 45 Series

---

### Air end data

---

power consumption at

driving shaft recommended [kW] 45

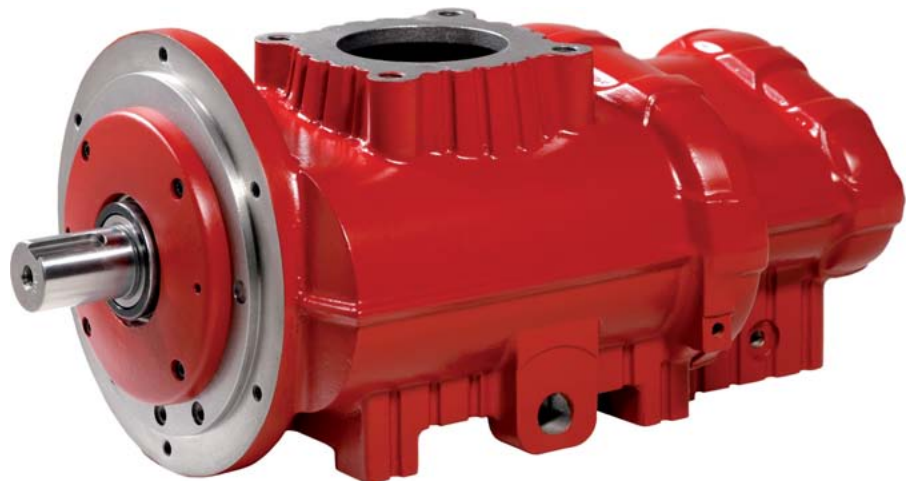
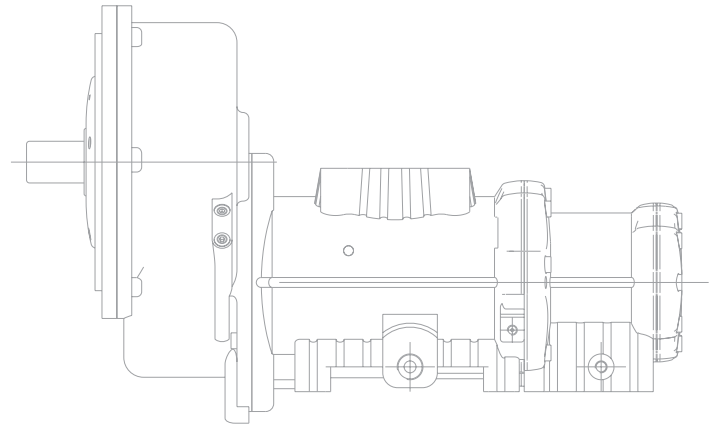
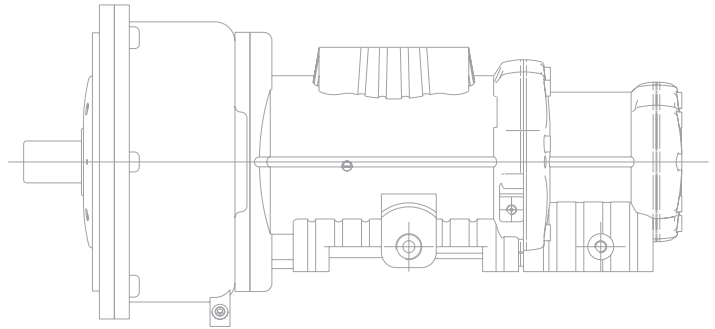
volume flow max [m<sup>3</sup>/min] 8.8

discharge pressure max. [bar a] 16

male rotor speed max. [rpm] 5,500

lobe combination 5/6

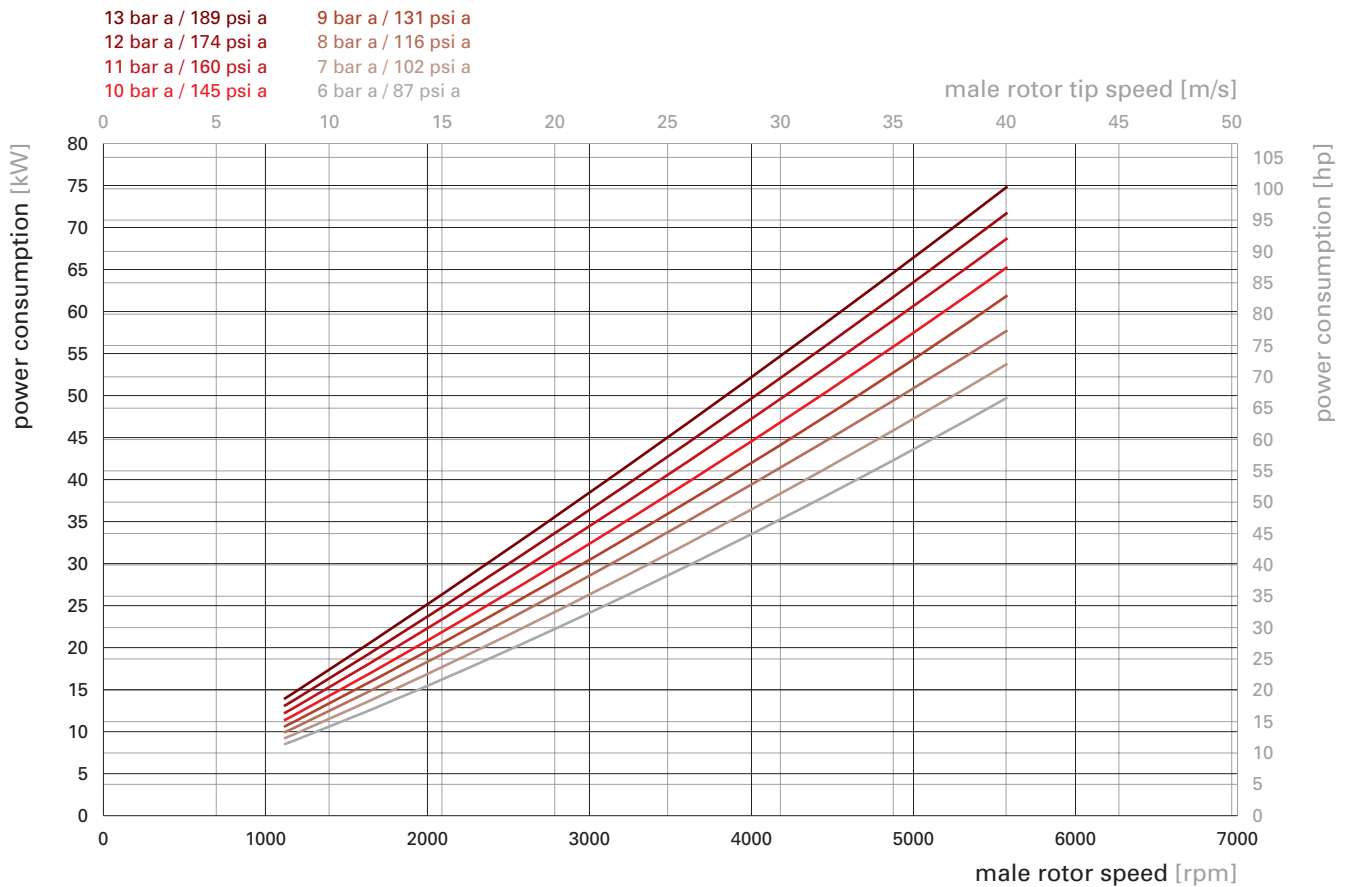
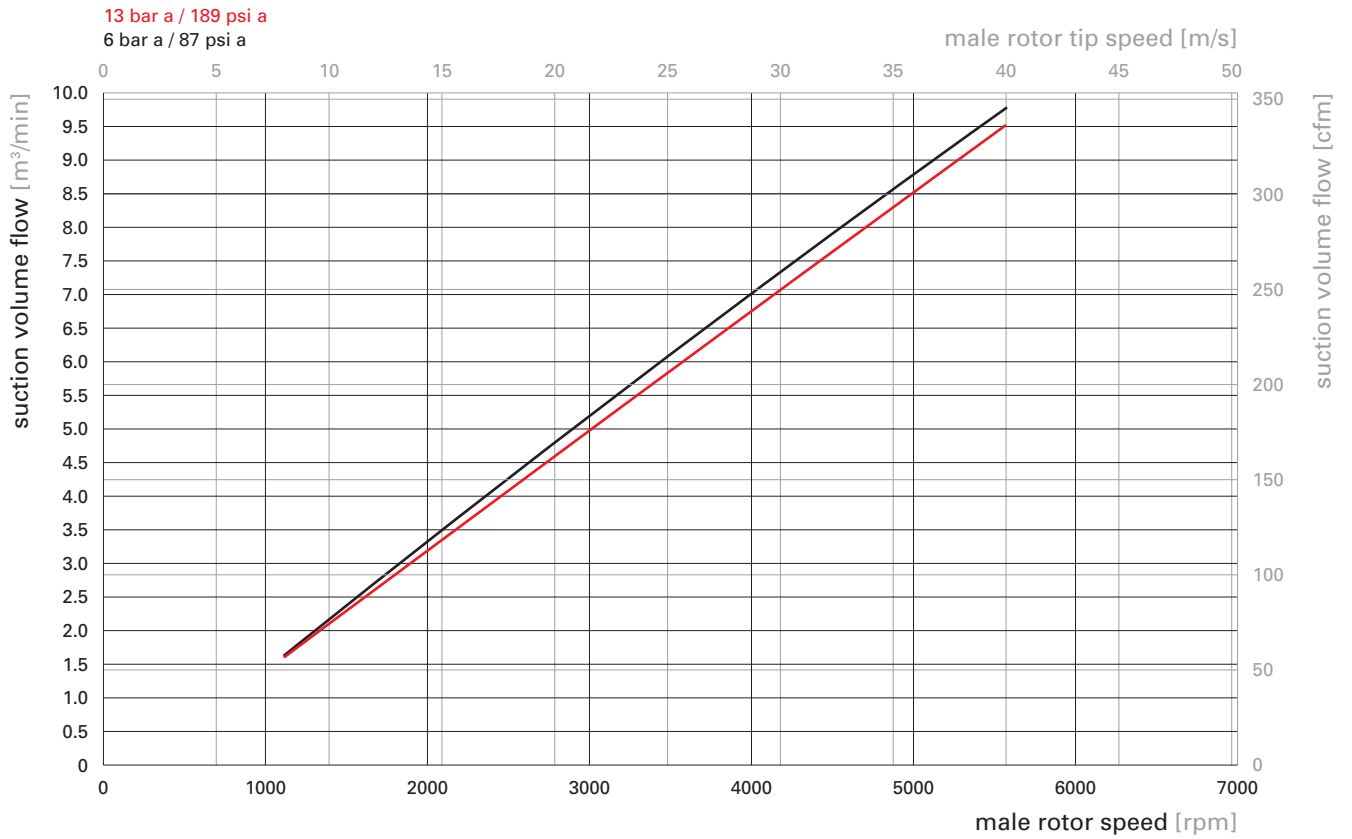
---



## EU 45 Series

### Performance data

Performance statements according to ISO 1217



Oil-injected screw compressor stage

## EU 45

**Installation drawing** [mm]

weight [kg]

92.8

