

Oil-injected screw compressor stage

EU37 Series

Air end data

power consumption at

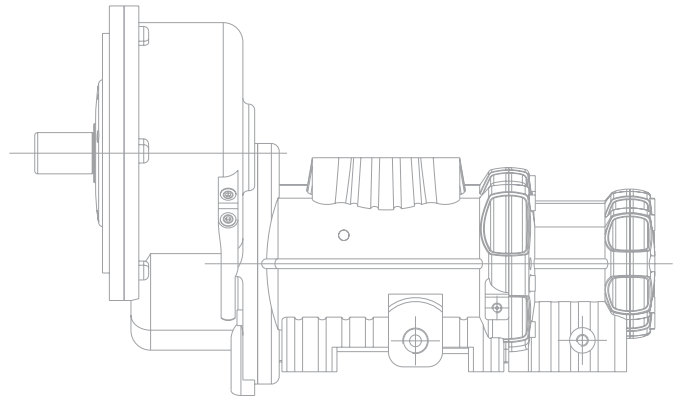
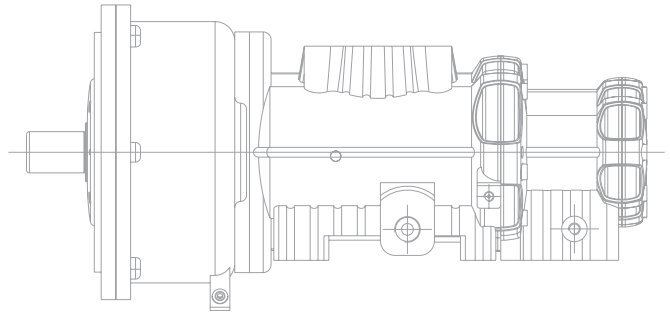
driving shaft recommended [kW] 37

volume flow max [m³/min] 7.4

discharge pressure max. [bar a] 16

male rotor speed max. [rpm] 6,000

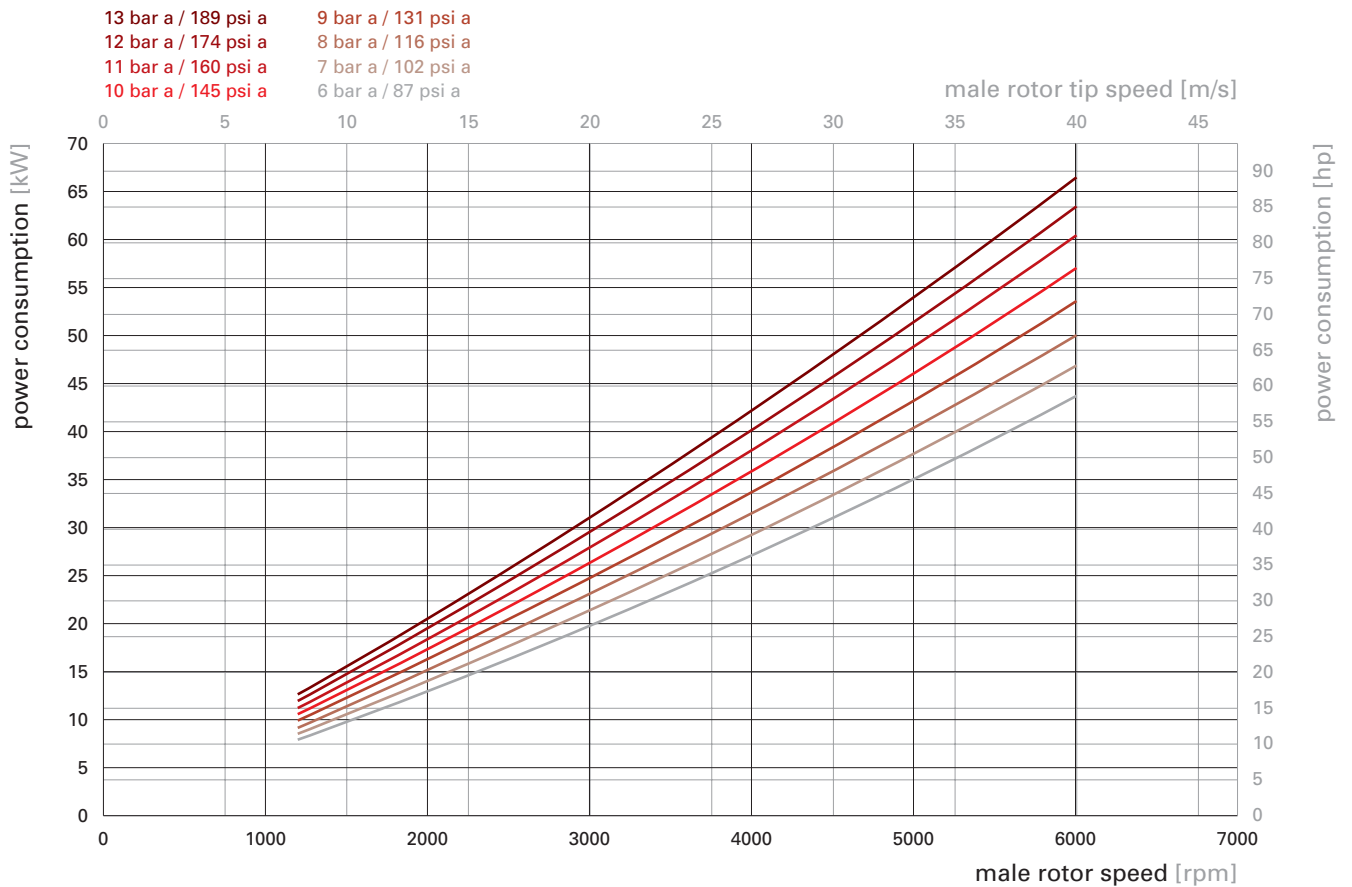
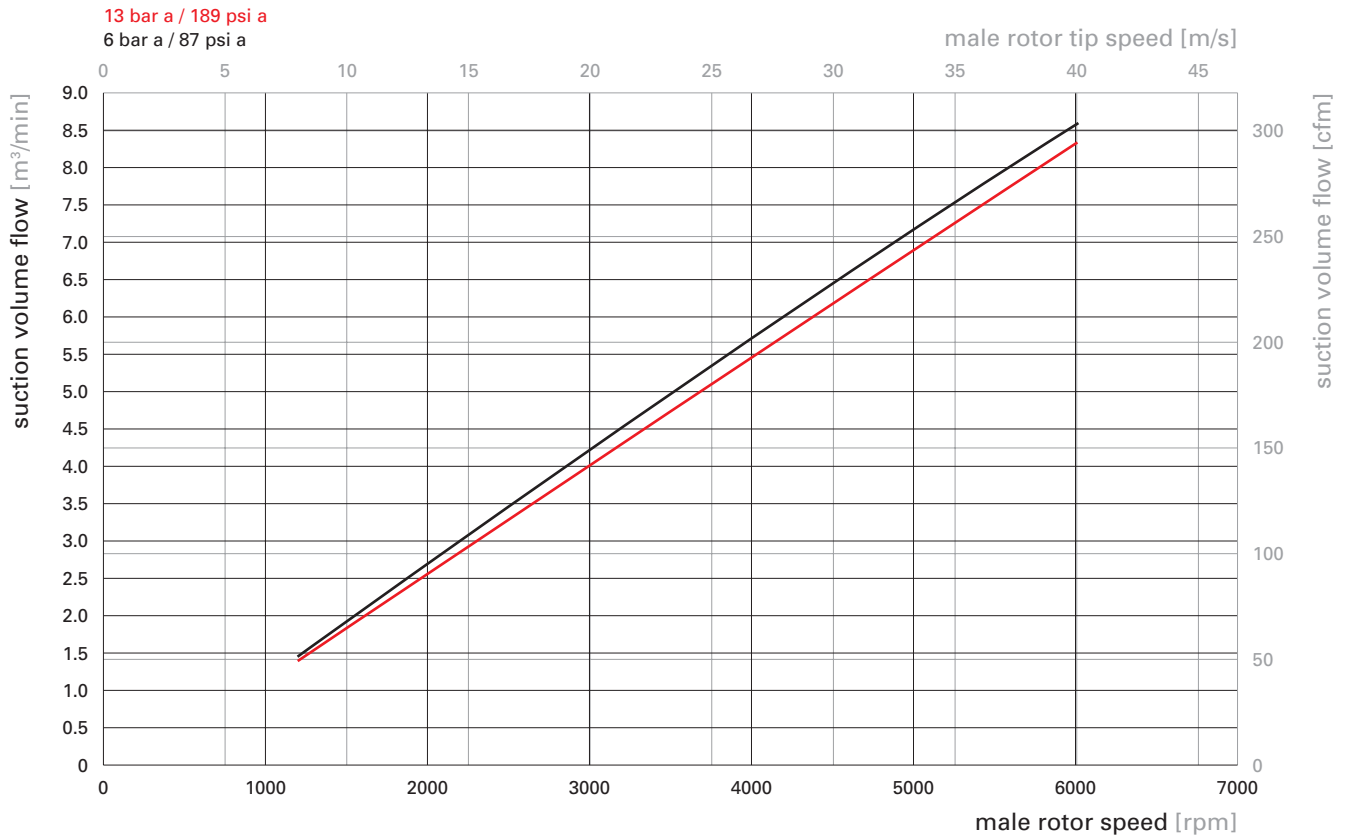
lobe combination 5/6



EU37 Series

Performance data

Performance statements according to ISO 1217



EU37 GV

Installation drawing [mm]

weight [kg]

119

