

Oil-injected screw compressor stage

EU 30 Series

Air end data

power consumption at

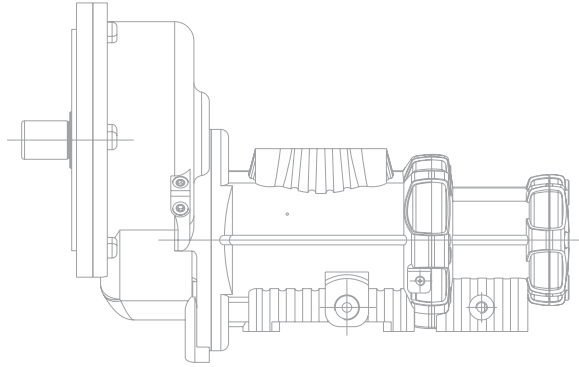
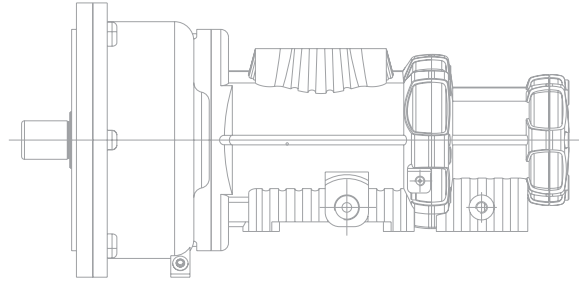
driving shaft recommended [kW] 30

volume flow max [m³/min] 6

discharge pressure max. [bar a] 16

male rotor speed max. [rpm] 6,500

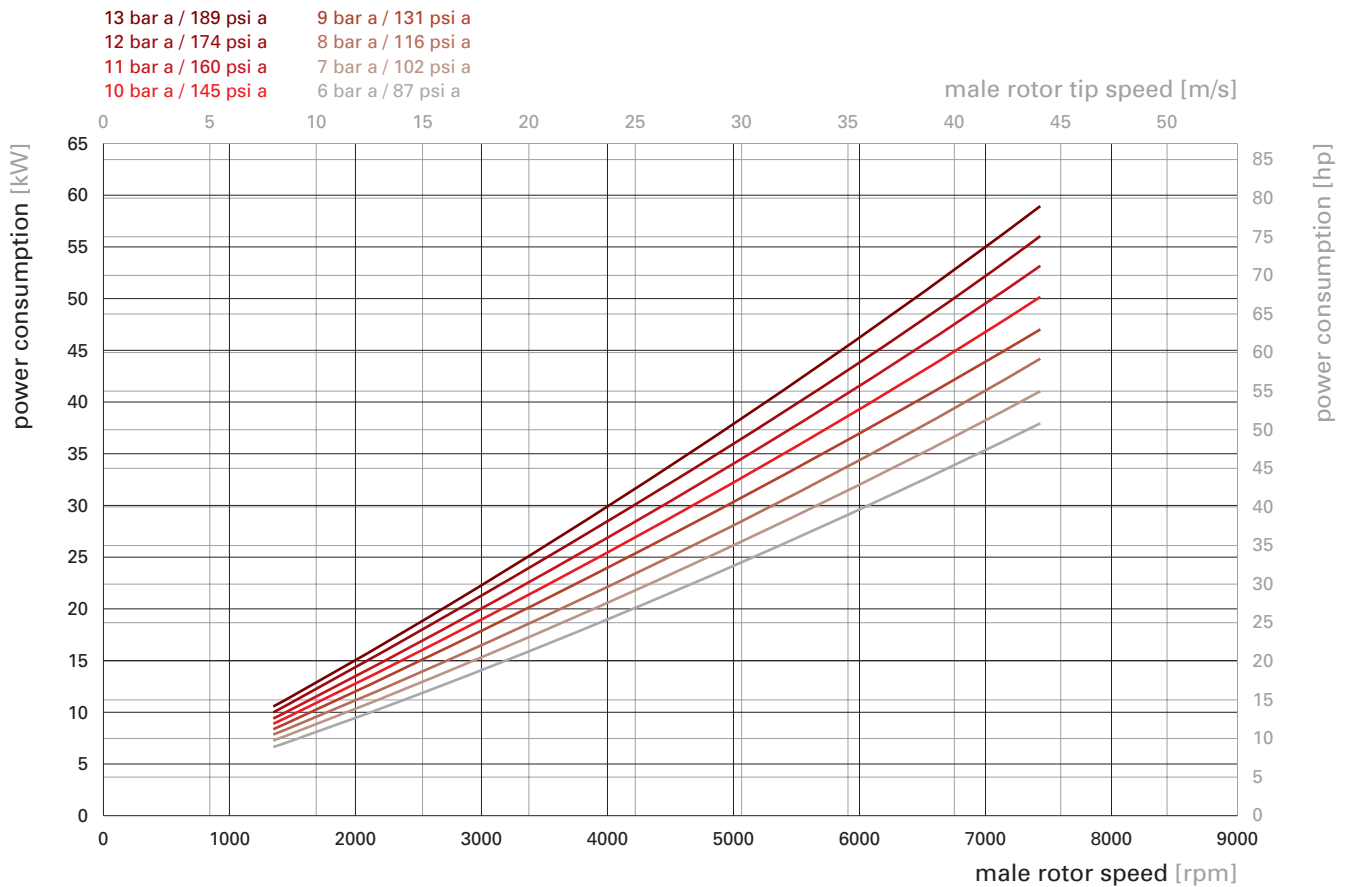
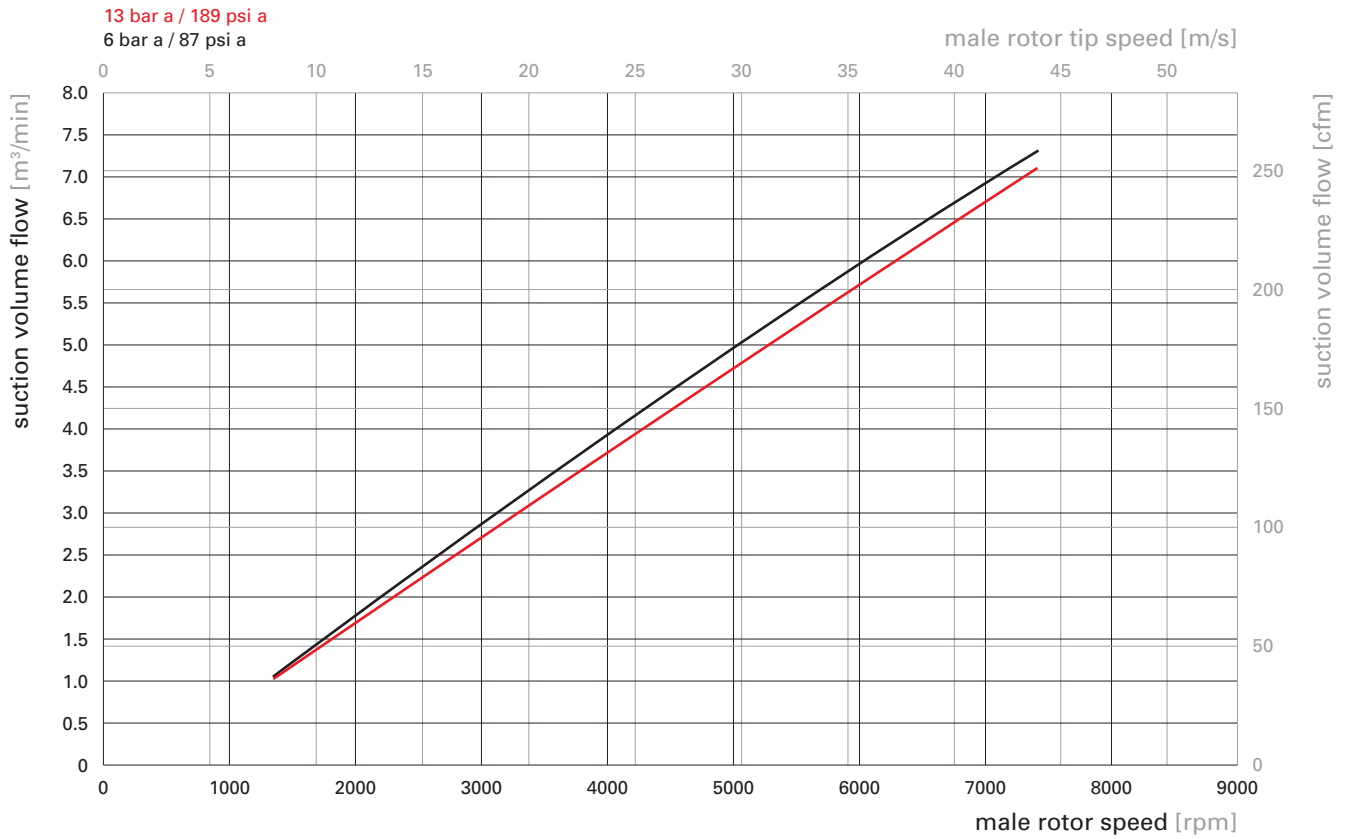
lobe combination 5/6



EU30 Series

Performance data

Performance statements according to ISO 1217



Oil-injected screw compressor stage

EU 30

Installation drawing [mm]

weight [kg]

59.2

