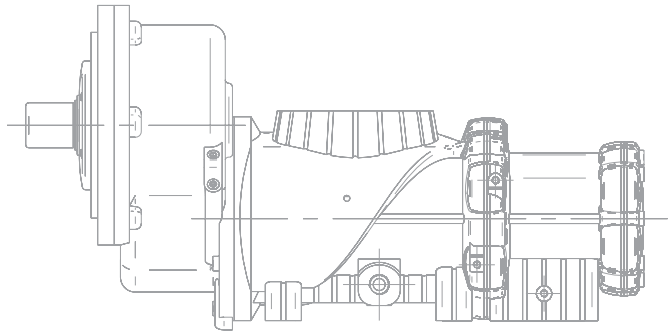
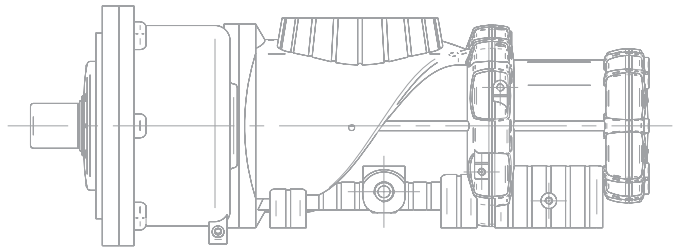


Oil-injected screw compressor stage

## EU 110 Series

### Air end data

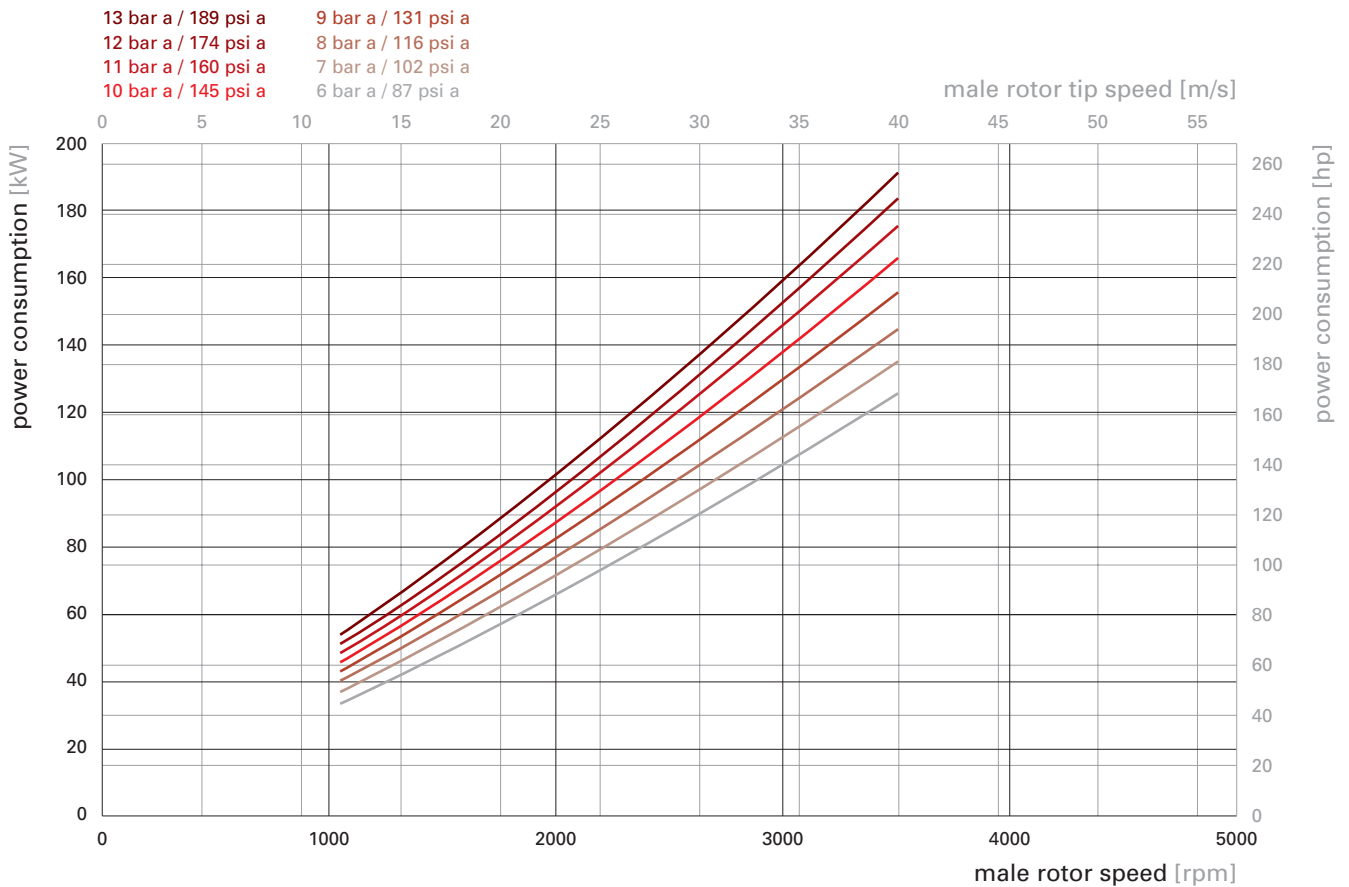
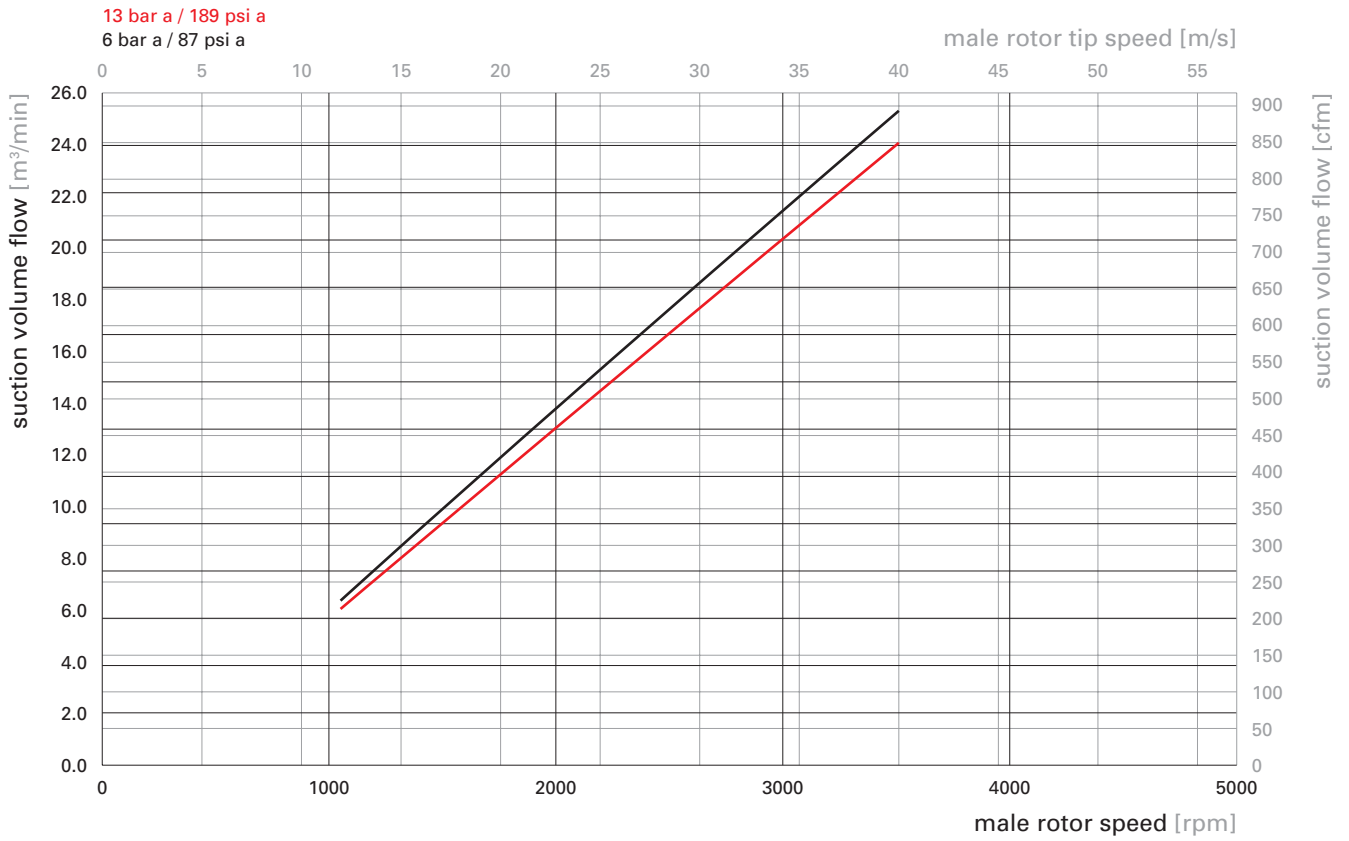
power consumption at driving shaft recommended [kW]	110
volume flow max [m <sup>3</sup> /min]	21.7
discharge pressure max. [bar a]	16
male rotor speed max. [rpm]	3,150
lobe combination	5/6



# EU 110 Series

## Performance data

Performance statements according to ISO 1217



# EU 110 GH

Installation drawing [mm]

weight [kg]

464

